

ONKYO SERVICE MANUAL

CD RECEIVER MODEL CR-445(B)



RC-791S

Black model

B MDC	120V AC, 60Hz
-------	---------------

SAFETY-RELATED COMPONENT WARNING!!

COMPONENTS IDENTIFIED BY MARK \triangle ON THE SCHEMATIC DIAGRAM AND IN THE PARTS LIST ARE CRITICAL FOR RISK OF FIRE AND ELECTRIC SHOCK. REPLACE THESE COMPONENTS WITH ONKYO PARTS WHOSE PART NUMBERS APPEAR AS SHOWN IN THIS MANUAL.

MAKE LEAKAGE-CURRENT OR RESISTANCE MEASUREMENTS TO DETERMINE THAT EXPOSED PARTS ARE ACCEPTABLY INSULATED FROM THE SUPPLY CIRCUIT BEFORE RETURNING THE APPLIANCE TO THE CUSTOMER.

SCHEMATIC DIAGRAMS-1 MAIN SECTION

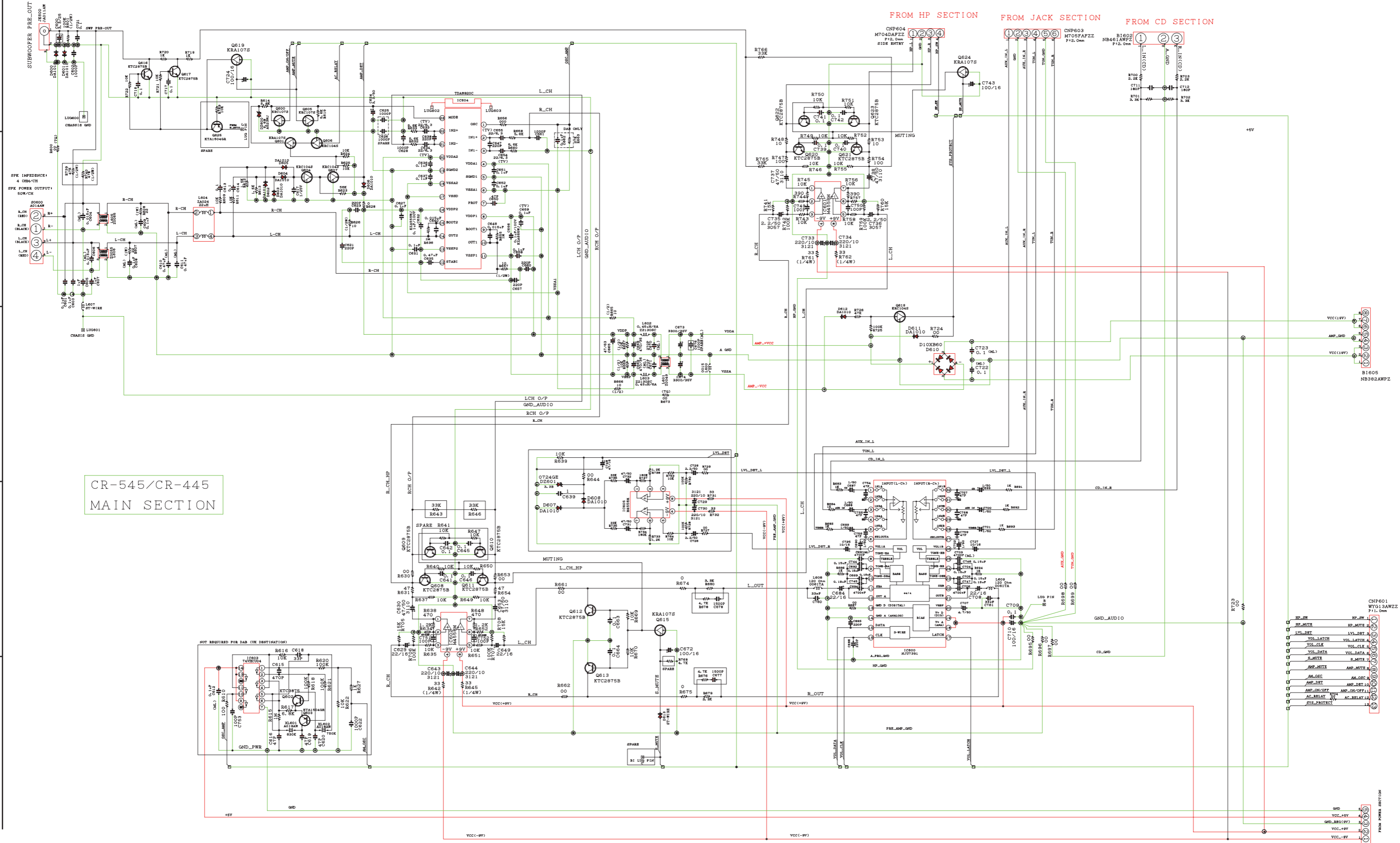
1

2

3

4

5



CR-545/CR-445
MAIN SECTION

HP-CH	HP-CH
HP-MUTE	HP-MUTE
LVL-DET	LVL-DET
VOL-LATCH	VOL-LATCH
VOL-CLK	VOL-CLK
VOL-DATA	VOL-DATA
S-MUTE	S-MUTE
AMP-MUTE	AMP-MUTE
AMP-DET	AMP-DET
AMP-ON/OFF	AMP-ON/OFF
AC-RELAY	AC-RELAY
ST-PAUSE	ST-PAUSE

FROM POWER SECTION

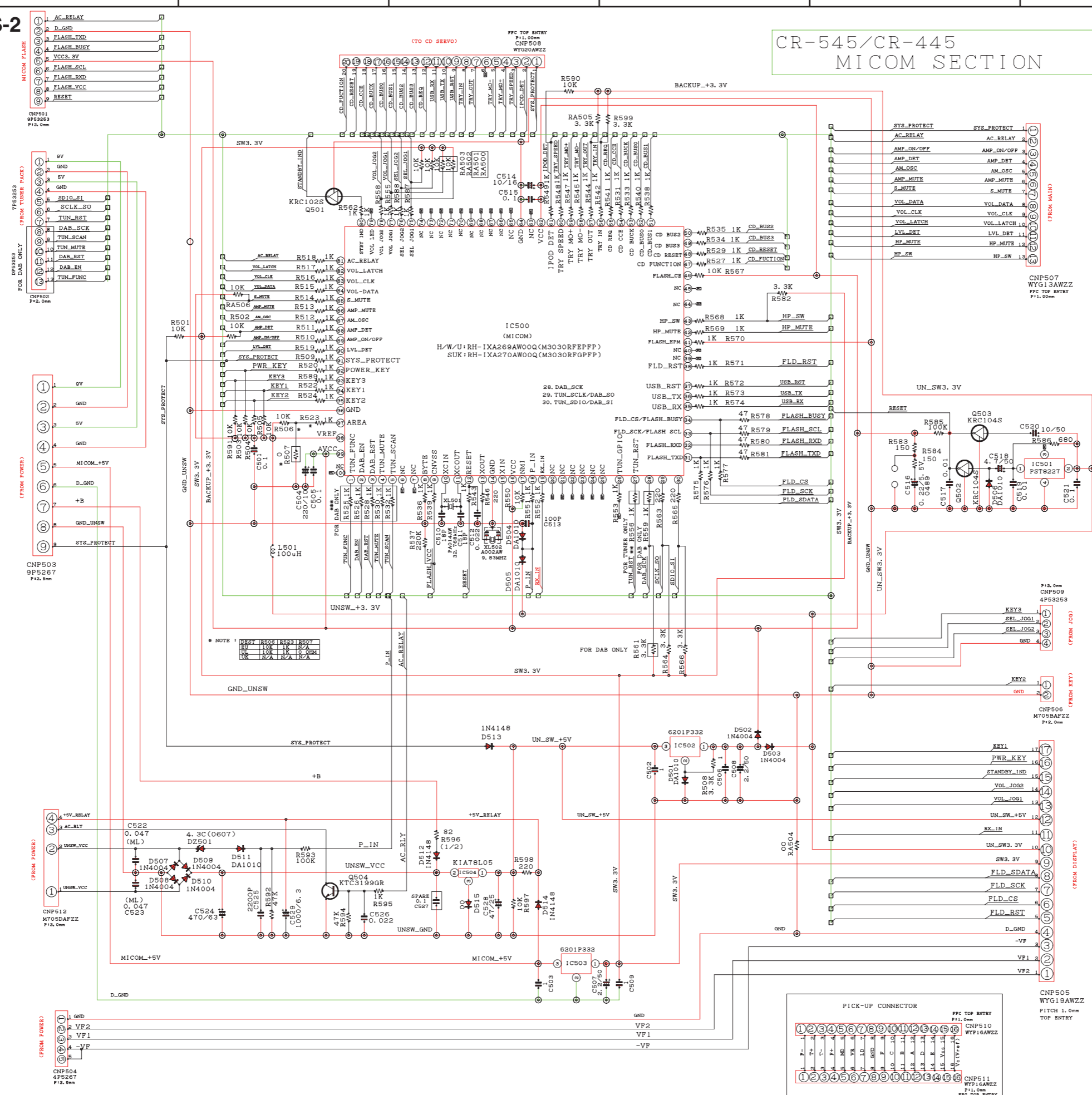
HP-CH	1
HP-MUTE	2
LVL-DET	3
VOL-LATCH	4
VOL-CLK	5
VOL-DATA	6
S-MUTE	7
AMP-MUTE	8
AMP-DET	9
AMP-ON/OFF	10
AC-RELAY	11
ST-PAUSE	12

CNP600
M010AWZZ

SCHEMATIC DIAGRAMS-2
MICOM SECTION

CR-545/CR-445
MICOM SECTION

1
2
3
4
5



(FROM FLASH)

(FROM TUNER PACK)

(FROM DAB ONLY)

(FROM POWER)

(FROM POWER)

(FROM POWER)

(FROM POWER)

(FROM POWER)

(FROM POWER)

(FROM POWER)

(FROM POWER)

(FROM POWER)

(FROM POWER)

(FROM POWER)

(FROM POWER)

(FROM POWER)

(FROM POWER)

(FROM POWER)

(FROM POWER)

(FROM POWER)

(FROM POWER)

(FROM POWER)

(FROM MAIN)

(FROM MAIN)

(FROM MAIN)

(FROM MAIN)

(FROM MAIN)

(FROM MAIN)

(FROM MAIN)

(FROM MAIN)

(FROM MAIN)

(FROM MAIN)

(FROM MAIN)

(FROM MAIN)

(FROM MAIN)

(FROM MAIN)

(FROM MAIN)

(FROM MAIN)

(FROM MAIN)

(FROM MAIN)

(FROM MAIN)

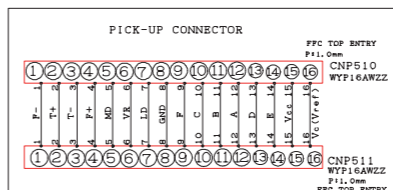
(FROM MAIN)

(FROM MAIN)

(FROM MAIN)

* NOTE

RES	R506	R553	R507
VAL	10K	1K	N/A
UNIT	K	K	K
PK	N/A	N/A	N/A



CNP504 4P5267 P12.0mm

CNP503 9P5267 P12.0mm

CNP502 9P5263 P12.0mm

CNP501 8P5263 P12.0mm

CNP504 4P5267 P12.0mm

CNP503 9P5267 P12.0mm

CNP502 9P5263 P12.0mm

CNP501 8P5263 P12.0mm

CNP504 4P5267 P12.0mm

CNP503 9P5267 P12.0mm

CNP502 9P5263 P12.0mm

CNP501 8P5263 P12.0mm

CNP504 4P5267 P12.0mm

CNP503 9P5267 P12.0mm

CNP502 9P5263 P12.0mm

CNP501 8P5263 P12.0mm

CNP504 4P5267 P12.0mm

CNP503 9P5267 P12.0mm

CNP502 9P5263 P12.0mm

CNP501 8P5263 P12.0mm

CNP504 4P5267 P12.0mm

CNP503 9P5267 P12.0mm

CNP502 9P5263 P12.0mm

CNP501 8P5263 P12.0mm

CNP504 4P5267 P12.0mm

CNP503 9P5267 P12.0mm

CNP502 9P5263 P12.0mm

CNP501 8P5263 P12.0mm

CNP504 4P5267 P12.0mm

CNP503 9P5267 P12.0mm

CNP502 9P5263 P12.0mm

CNP501 8P5263 P12.0mm

CNP504 4P5267 P12.0mm

CNP503 9P5267 P12.0mm

CNP502 9P5263 P12.0mm

CNP501 8P5263 P12.0mm

CNP504 4P5267 P12.0mm

CNP503 9P5267 P12.0mm

CNP502 9P5263 P12.0mm

CNP501 8P5263 P12.0mm

CNP504 4P5267 P12.0mm

CNP503 9P5267 P12.0mm

CNP502 9P5263 P12.0mm

CNP501 8P5263 P12.0mm

CNP504 4P5267 P12.0mm

CNP503 9P5267 P12.0mm

CNP502 9P5263 P12.0mm

CNP501 8P5263 P12.0mm

CNP504 4P5267 P12.0mm

CNP503 9P5267 P12.0mm

CNP502 9P5263 P12.0mm

CNP501 8P5263 P12.0mm

CNP504 4P5267 P12.0mm

CNP503 9P5267 P12.0mm

CNP502 9P5263 P12.0mm

CNP501 8P5263 P12.0mm

CNP504 4P5267 P12.0mm

CNP503 9P5267 P12.0mm

CNP502 9P5263 P12.0mm

CNP501 8P5263 P12.0mm

CNP504 4P5267 P12.0mm

CNP503 9P5267 P12.0mm

CNP502 9P5263 P12.0mm

CNP501 8P5263 P12.0mm

CNP504 4P5267 P12.0mm

CNP503 9P5267 P12.0mm

CNP502 9P5263 P12.0mm

CNP501 8P5263 P12.0mm

CNP504 4P5267 P12.0mm

CNP503 9P5267 P12.0mm

CNP502 9P5263 P12.0mm

CNP501 8P5263 P12.0mm

CNP504 4P5267 P12.0mm

CNP503 9P5267 P12.0mm

CNP502 9P5263 P12.0mm

CNP501 8P5263 P12.0mm

CNP504 4P5267 P12.0mm

CNP503 9P5267 P12.0mm

CNP502 9P5263 P12.0mm

CNP501 8P5263 P12.0mm

CNP504 4P5267 P12.0mm

CNP503 9P5267 P12.0mm

CNP502 9P5263 P12.0mm

CNP501 8P5263 P12.0mm

SCHEMATIC DIAGRAMS-4 DISPLAY SECTION

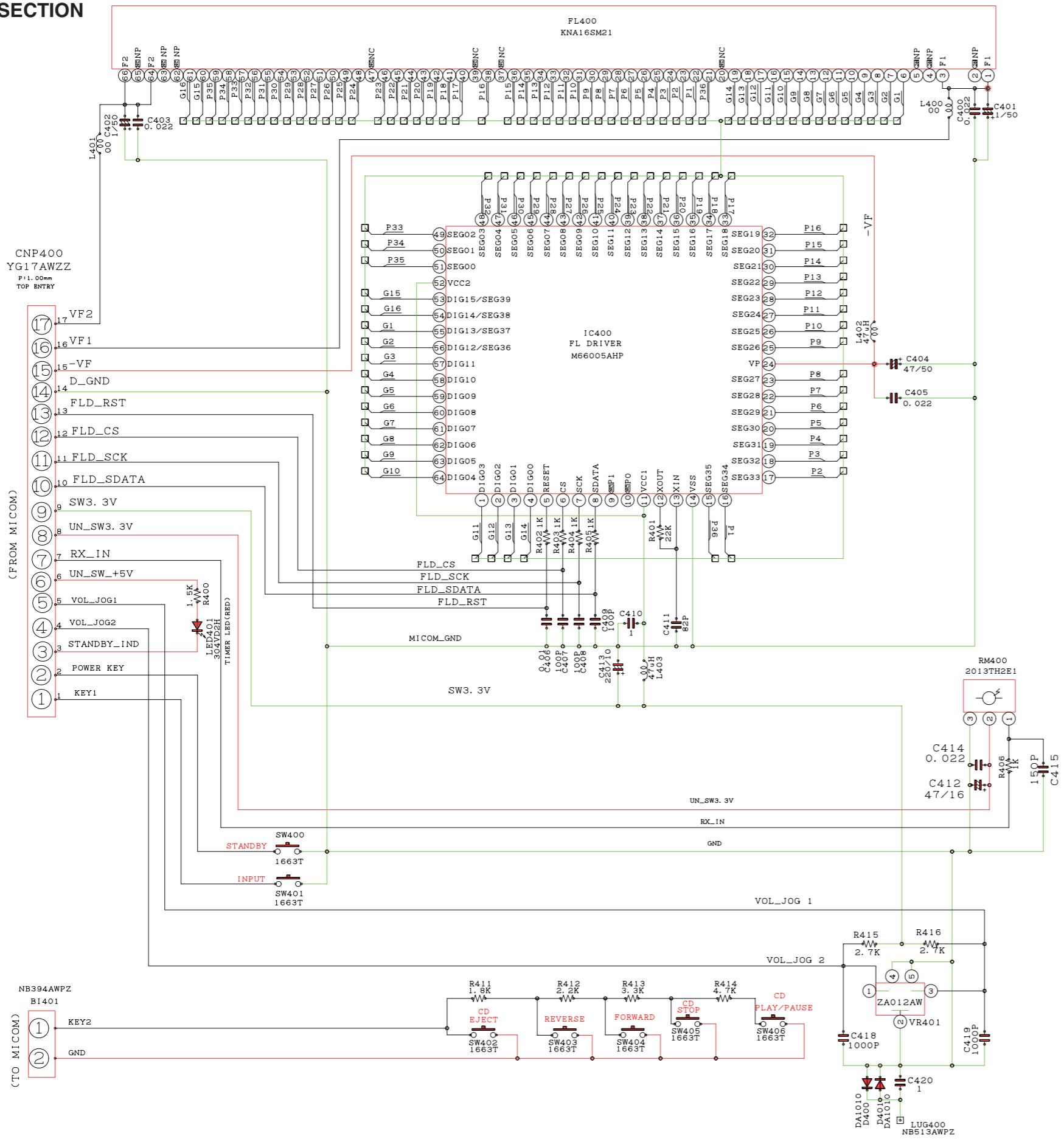
1

2

3

4

5



CR-545/CR-445
DISPLAY SECTION

SCHEMATIC DIAGRAMS-5 CD SERVO SECTION

OASIS+BOLERO
CR SERIES
SERVO SECTION

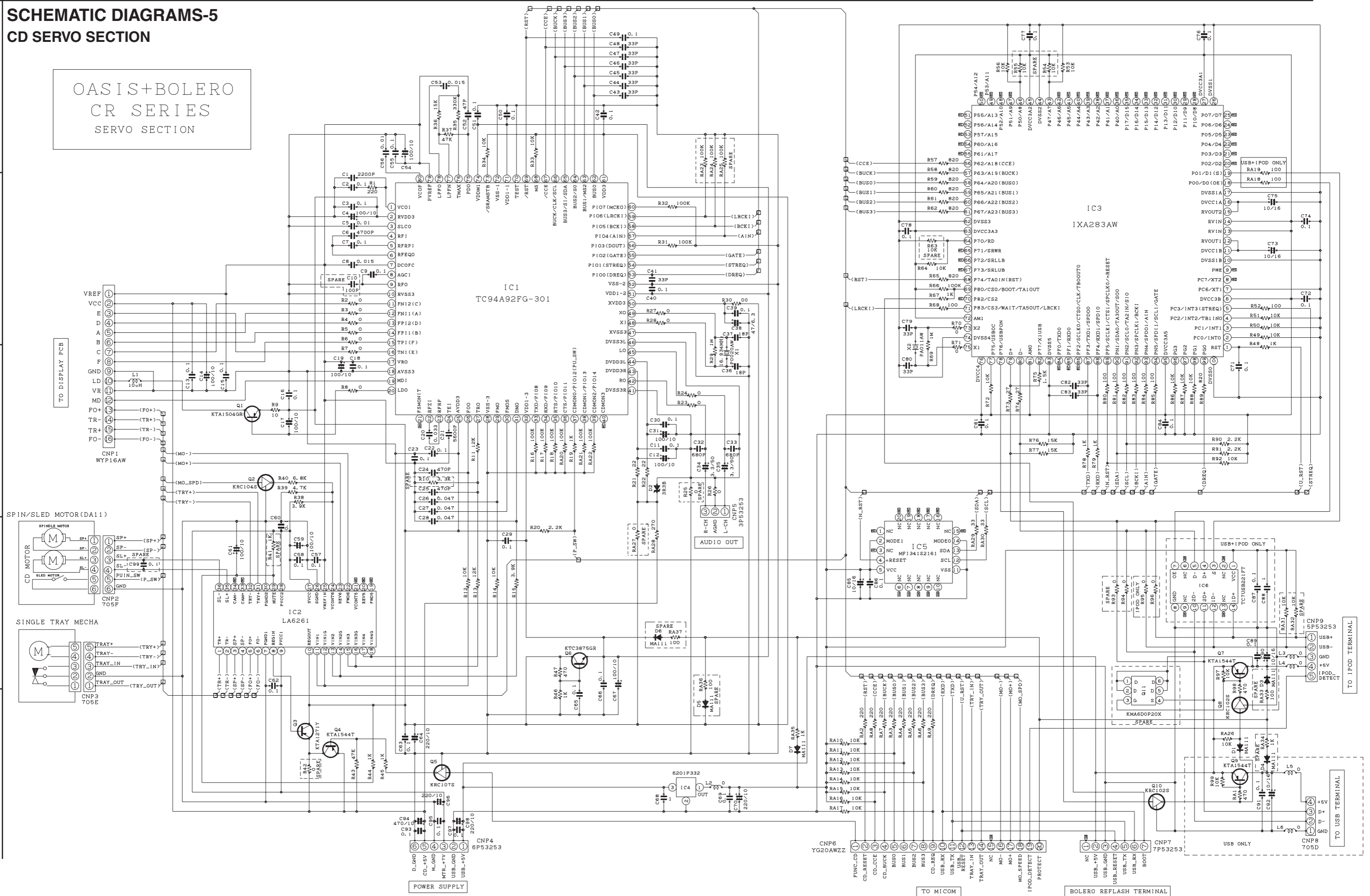
1

2

3

4

5



SCHEMATIC DIAGRAMS-6 JACK SECTION

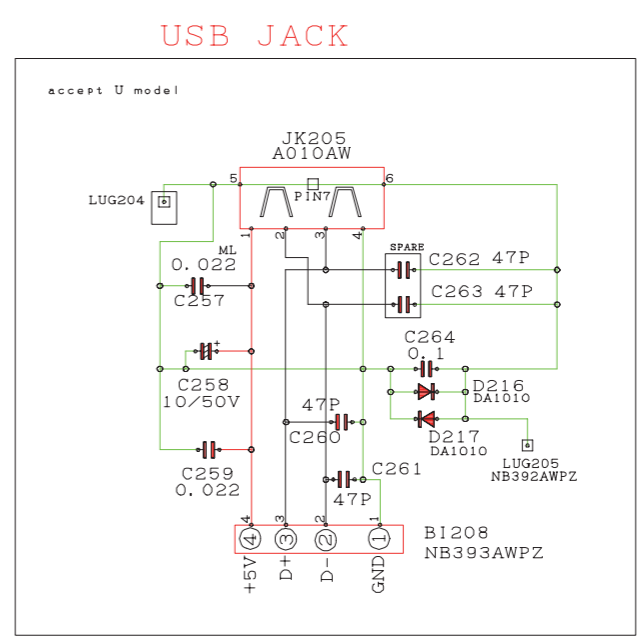
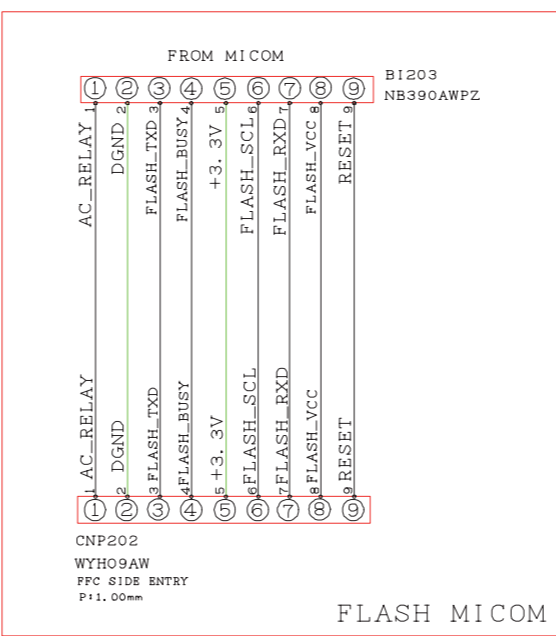
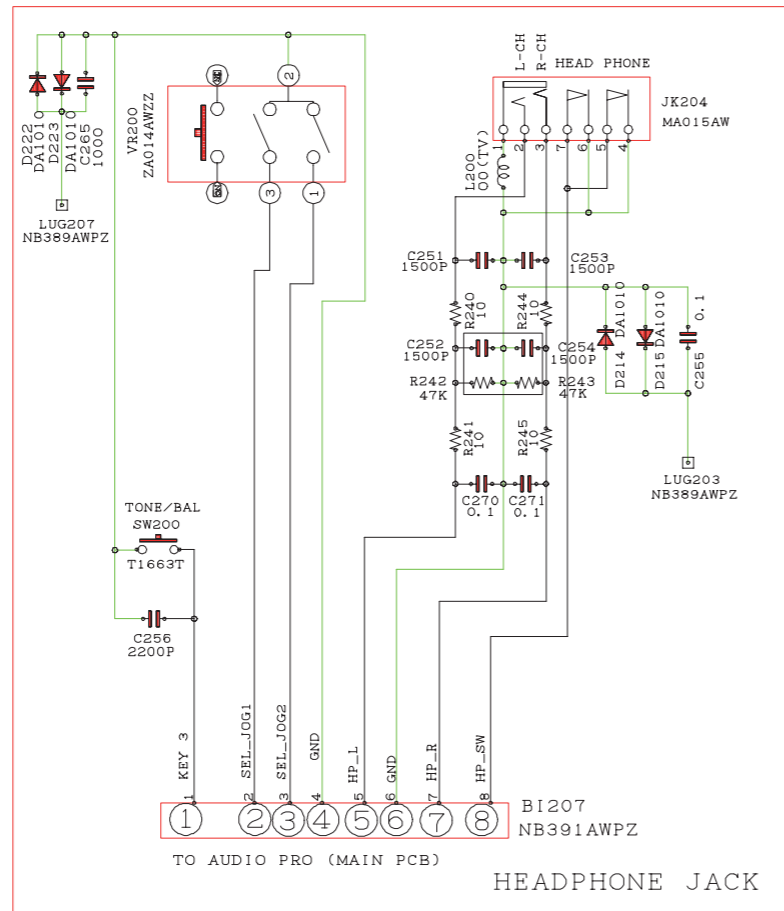
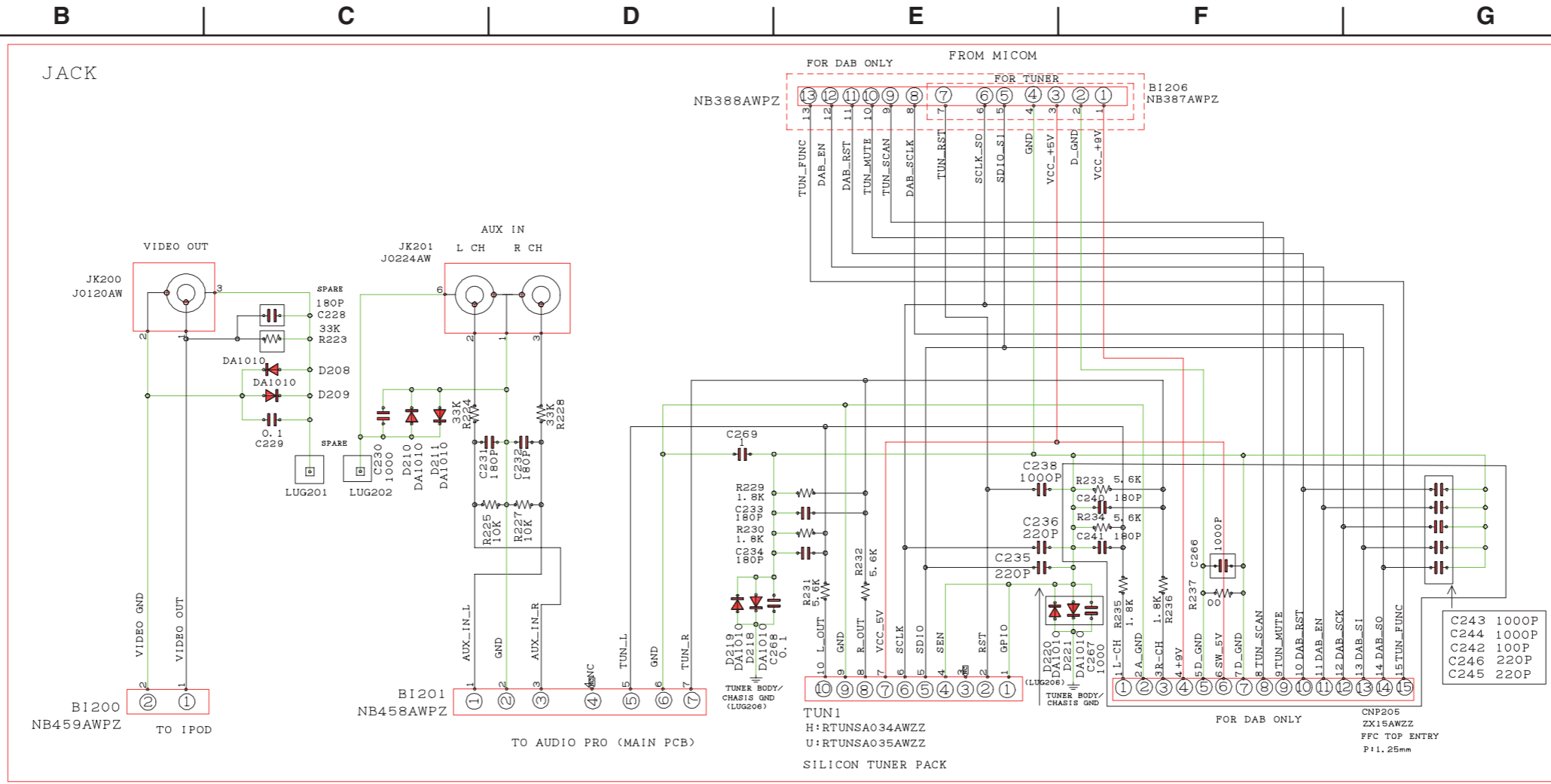
1

2

3

4

5



CR-545/CR-445
JACK SECTION

SCHEMATIC DIAGRAMS-7 IPOD DOCK SECTION

1

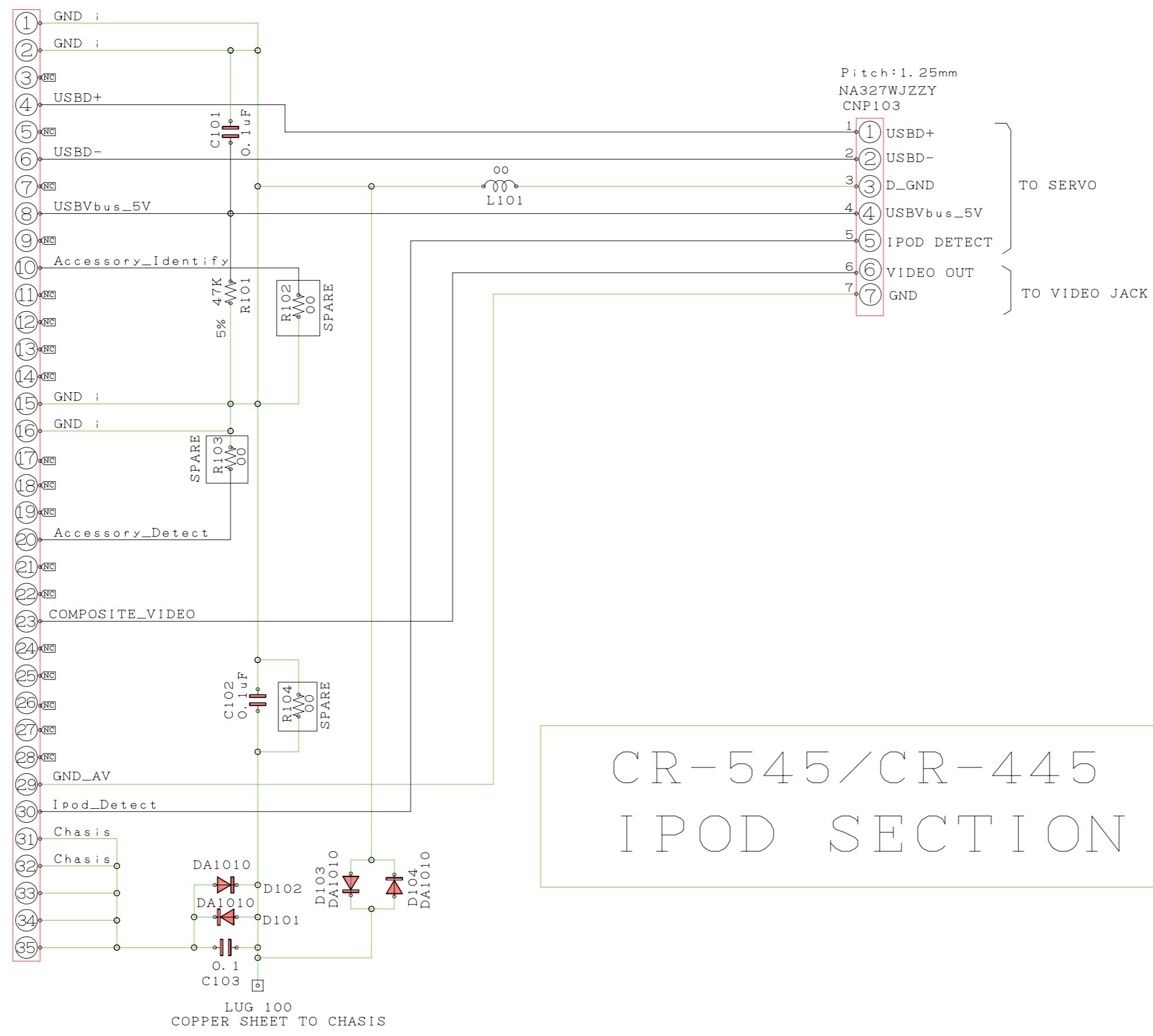
2

3

4

5

CNP101
WA127AW30L
IPOD CONNECTOR



CR-545/CR-445
IPOD SECTION

**MODEL : CR-445 (USA DEST)
MECHANICAL PARTS**

FOR U.S.A. DEST.

SAFETY	NO.	DESCRIPTION	QTY	TRANSFER CODE	PARTS CODE	NEW
CD MECHANISM PARTS						
C	0001	CD Loader Assy	01		KMECZA025AW01	
C	0002	CD Mechanism Unit	01		KMECZA019AWZZ	
C	0003	CD Loader	01		KMECZA025AWZZ	
C	0004	Mecha Cushion	04		PCUSGA166AWSA	
C	0005	Special Screw	04		LX-EZA034AWF7	
C	0006	Spring	04		MSPRPA020AWZZ	
CABINET PARTS						
E	0001	MAIN PWB	01		-----	
E	0002	POWER PWB	01		-----	
E	0003	REGULATOR PWB	01		-----	
E	0004	SWITCH PWB	01		-----	
E	0005	JACK PWB	01		-----	
E	0007	HEADPHONE PWB	01		-----	
E	0009	DISPLAY PWB	01		-----	
E	0010	MICOM PWB	01		-----	
E	0011	iPOD PWB	01		-----	
E	0012	CD SERVO PWB	01		-----	
A	0001	Front Panel Ass'y (Black Version)	01		CCABA8055AW01	
M	0001	Top Cabinet (Black Version)	01		GCAB-A083AWSB	
M	0002	Back Plate	01		GITARA761AWSA	
M	0003	Aluminum Decoration Panel	01		-----	NSP
M	0004	Spring Plate	01		LANGKA155AWFJ	
M	0005	PWB Support Angle	01		LANGKA160AWFW	
M	0006	Spring Plate	01		LANGQA011AWZZ	
M	0007	PWB Support Angle	03		LANGT0042AWFW	
M	0008	Main Chassis	01		LCHSMA099AWFW	
M	0009	Radiator	01		PRDARA111AWFW	
M	0010	Radiator A	01		PRDARA205AWFW	
M	0011	Radiator B	01		PRDARA206AWFW	
M	0012	Grounding Plate	01		QTANSA003AWZZ	
P	0001	CD Tray Cover (Black Version)	01		GCOVAA273AWSB	
P	0002	On/Stand-By Knob Cover (Black Version)	01		-----	NSP
P	0003	Play Knob Cover (Black Version)	02		-----	NSP
P	0004	iPod Door (Black Version)	01		GDORFA035AWSD	
P	0005	Leg	04		GLEGPA013AWSA	
P	0006	Display Panel	01		-----	NSP
P	0007	Front Panel (Black Version)	01		-----	NSP
P	0008	Tone Control Knob (Black Version)	01		JKNBKA052AWSB	
P	0009	Volume Knob (Black Version)	01		JKNBKA053AWSB	
P	0010	PWB Spacer	01		LHLDFA028AWZZ	
P	0011	FL Holder	01		LHLDZA237AWZZ	
P	0012	CD Mecha Holder	01		LHLDZA248AWZZ	
P	0013	iPod Holder (Black Version)	01		LHLDZA249AWSD	
P	0014	iPod Door Spacer	01		LHLDZA261AWZZ	
P	0015	PWB Spacer	02		LHLDFA026AWZZ	
Z	0001	AC Cord Bush	01		LBSHCA005AWZZ	

	C	0001	CD Loader Assy	01		KMECZA025AW01	
	C	0002	CD Mechanism Unit	01		KMECZA019AWZZ	
	Z	0002	Door Washer	01		LX-WZA026AWZZ	
	Z	0004	iPod Door Cover	01		PCOVQA017AWZZ	
	Z	0005	Leg Cushion	04		PCUSGA131AWZZ	
	Z	0006	iPod Door Cushion (Black Version)	02		PCUSGA172AWSB	
	Z	0008	Conductive Sponge 90mm	01		PCUSZA028AWZZ	

	C	0001	CD Loader Assy	01		KMECZA025AW01	
	C	0002	CD Mechanism Unit	01		KMECZA019AWZZ	
	Z	0009	Heat Transfer Sheet	01		PSHEZA229AWZZ	
	Z	0010	iPod Copper Sheet A	01		PSHEZA231AWZZ	
	Z	0011	iPod Copper Sheet B	01		PSHEZA234AWZZ	
	Z	0012	Noise Cuppression Sheet A	01		PSHEZA235AWZZ	
	Z	0015	Top Cabinet Copper Sheet A	01		PSHEZA241AWZZ	
	Z	0016	Top Cabinet Copper Sheet B	01		PSHEZA242AWZZ	
S	Z	0017	AC Cord	01		QACCCA002AWZZ	
	Z	0018	Laser Caution Label	01		TLABSA080AWZZ	
	Z	0020	CLOTH TAPE	01		ZTAPEN016N156	
S		0001	Screw, Special	17		LX-BZA031AWF8	
S		0002	Screw, Special	01		LX-BZA039AWF7	
S		0003	Screw, Special	07		LX-BZA043AWF7	
S		0004	Screw, Special	04		LX-BZA048AWF7	
S		0005	Screw, Special	04		LX-JZ0036AWF7	
S		0007	Screw, Special	01		LX-JZ0047AWF7	
S		0008	Screw, Special	01		LX-JZA017AWF7	
S		0009	Screw, M2.6 X6mm	01		XEBY726P06000	
S		0010	Screw, M2.6 X10mm	11		XEBY726P10000	
S		0011	Screw, M3 X8mm	04		XEBY730P08000	
S		0012	Screw, M3 X10mm	06		XEBY730P10000	
S		0013	Screw, Special	01		XHPY830P06000	
S		0015	Screw, M3 X6mm	06		XJBY730P06000	
S		0016	Screw, M3 X8mm	04		XJBY730P08000	
S		0017	Screw, M3 X8mm	08		XJBY830P08000	
S		0018	Screw, M3 X8mm (Black Version)	03		XJSY830P08000	
S		0019	Screw, Special	01		XEPY717P05000	

FOR U.S.A. DEST.

SAFETY	NO.	DESCRIPTION	QTY	TRANSFER CODE	PARTS CODE	NEW
ACCESSORIES / PACKING PARTS						
		0001	AM Loop Antenna	01		QANTL0005AWZZ
		0002	FM Antenna	01	292191	QCNWGA038AWPZ
		0003	Remote Control	01		RRMCGA222AWSA
		0004	Packing Add, Front	01		SPAKAA257AWZZ
		0005	Packing Add, Rear	01		SPAKAA258AWZZ
		0006	Packing Case (Black Version)	01		SPAKCA808AWZZ
		0007	Packing Case With Speaker	01		SPAKCA837AWZZ
		0008	Poly Bag, Accessories	01	29100250A	SSAKAA010AWZZ
		0009	Poly Bag, Plug	02		SSAKHA155AWZZ
		0010	Poly Bag, Set	01		SSAKHA173AWZZ
		0011	Warranty Sheet	01		TGANZA035AWZZ
		0012	Operation Manual (English)	01		TINSZA716AWZZ
		0013	Operation Manual (Francais / Espanol)	01		TINSZA717AWZZ
P.W.B. ASSEMBLY						
A	0000	MAIN / POWER / SWITCH / JACK / USB / HEADPHONE / WASHER / MICOM	01		92LPWB8055MANS	
B	0000	DISPLAY / REGULATOR	01		92LPWB7943DPLS	
C	0000	CD SERVO	01		92LPWB8055CDUS	
D	0000	IPOD	01		92LPWB7943PODS	

	C	0001	CD Loader Assy	01		KMECZA025AW01	
	C	0002	CD Mechanism Unit	01		KMECZA019AWZZ	

MODEL : CS-445
ELECTRICAL PARTS

SAFETY	NO.	DESCRIPTION	QTY	TRANSFER CODE	PARTS CODE	NEW
INTEGRATED CIRCUITS						
	IC	1	CD/MP3 Decoder		VHIT94B13F3-1Q	
	IC	2	Motor Driver		VHILA6261/-1L	
	IC	3	Bolero IC		RH-IXA283AW00Q	
	IC	4	Voltage Regulator, 3.3V		VHI6201P332-1+	
	IC	5	iPhone IC	22242594R2	VHIMF341S64-1L	
	IC	400	FL Driver	22242208R3	VHIM66005AHP1L	
	IC	500	System Microcomputer, IXA294AW		RH-IXA294AW00Q	
	IC	501	Reset IC, 2.7V		VHIPST8227U-1Y	
	IC	502	Voltage Regulator, 3.3V		VHI6201P332-1+	
	IC	503	Voltage Regulator, 3.3V		VHI6201P332-1+	
	IC	504	Voltage Regulator		VHIKIA78L05-1T	
	IC	600	2-CH Audio Processor		VHINJU7391/-1L	
	IC	601	Operational Amplifier		VHIAZ4558CME1L	
	IC	602	Operational Amplifier		VHIAZ4558CME1L	
	IC	603	Inverter IC, 74VHCU04		VHI74VHCU04T1L	
	IC	604	Power IC, TDA8920		VHITDA8920CJ1	
	IC	800	Regulator, KIA7809A		VHIKIA7809AP1	
	IC	801	Regulator, KIA78D05		VHIKIA78D05-1	
	IC	802	Regulator, KIA7807A		VHIKIA7807A-1	
	IC	803	Regulator, KIA7805A		VHIKIA7805AP1	
TRANSISTORS						
	Q	1	Silicon, PNP, KTA1504		VSKTA1504GR-1+	
	Q	2	Silicon, NPN, KRC104 S		VSKRC104S/-1+	
	Q	3	Silicon, PNP, KTA1271 Y		VSKTA1271Y/-1T	
	Q	4	Silicon, PNP, KTA1544		VSKTA1544T/-1+	
	Q	5	Silicon, NPN, KRC107 S		VSKRC107S/-1+	
	Q	6	Silicon,NPN,KTC3875 GR		VSKTC3875GR-1-	
	Q	7	Silicon, PNP, KTA1544		VSKTA1544T/-1+	
	Q	8	Silicon, NPN, KRC102 S		VSKRC102S/-1+	
	Q	10	Silicon, NPN, KRC102 S		VSKRC102S/-1+	
	Q	501	Silicon, NPN, KRC102 S		VSKRC102S/-1+	
	Q	502	Silicon, NPN, KRC104 S		VSKRC104S/-1+	
	Q	503	Silicon, NPN, KRC104 S		VSKRC104S/-1+	
	Q	504	Silicon, NPN, KTC3199		VSKTC3199GR-1T	
	Q	600	Silicon, NPN, KRC107 S		VSKRC107S/-1+	
	Q	601	Silicon, PNP, KRA107 S		VSKRA107S/-1+	
	Q	602	Silicon,NPN,KTC3875 GR		VSKTC3875GR-1-	
	Q	603	Silicon, PNP, KTA1504		VSKTA1504GR-1+	
	Q	604	Silicon, NPN, KRC104 S		VSKRC104S/-1+	
	Q	605	Silicon, NPN, KRC107 S		VSKRC107S/-1+	
	Q	606	Silicon, NPN, KRC104 S		VSKRC104S/-1+	
	Q	607	Silicon, NPN, KRC104 S		VSKRC104S/-1+	

SAFETY	NO.	DESCRIPTION	QTY	TRANSFER CODE	PARTS CODE	NEW
Q	608	Silicon, NPN, KTC2875B			VSKTC2875B/-1-	
Q	611	Silicon, NPN, KTC2875B			VSKTC2875B/-1-	
Q	612	Silicon, NPN, KTC2875B			VSKTC2875B/-1-	
Q	613	Silicon, NPN, KTC2875B			VSKTC2875B/-1-	
Q	615	Silicon, PNP, KRA107 S			VSKRA107S// -1+	
Q	616	Silicon, NPN, KTC2875B			VSKTC2875B/-1-	
Q	617	Silicon, NPN, KTC2875B			VSKTC2875B/-1-	
Q	618	Silicon, NPN, KRC104 S			VSKRC104S// -1+	
Q	619	Silicon, PNP, KRA107 S			VSKRA107S// -1+	
Q	620	Silicon, NPN, KTC2875B			VSKTC2875B/-1-	
Q	621	Silicon, NPN, KTC2875B			VSKTC2875B/-1-	
Q	622	Silicon, NPN, KTC2875B			VSKTC2875B/-1-	
Q	623	Silicon, NPN, KTC2875B			VSKTC2875B/-1-	
Q	624	Silicon, PNP, KRA107 S			VSKRA107S// -1+	
Q	625	Silicon, PNP, KTA1504			VSKTA1504GR-1+	
Q	800	Silicon, PNP, KTA1271 Y			VSKTA1271Y/-1T	
Q	802	Silicon, PNP, KTA1274 Y			VSKTA1274Y/-1T	
Q	806	Silicon, NPN, KRC104S			VSKRC104S// -1+	
Q	807	Silicon, NPN, KTC3199			VSKTC3199GR-1T	

SAFETY	NO.	DESCRIPTION	QTY	TRANSFER CODE	PARTS CODE	NEW
DIODES						
D	1	Silicon, MA111			VHDMA111G+-1Y	
D	2	Zener, 3.3V			VHEUDZ3R3B/-1-	
D	7	Silicon, MA111			VHDMA111G+-1Y	
D	101	Silicon, DA1010			VHDDA1010+-1Y	
D	102	Silicon, DA1010			VHDDA1010+-1Y	
D	103	Silicon, DA1010			VHDDA1010+-1Y	
D	104	Silicon, DA1010			VHDDA1010+-1Y	
D	208	Silicon, DA1010			VHDDA1010+-1Y	
D	209	Silicon, DA1010			VHDDA1010+-1Y	
D	210	Silicon, DA1010			VHDDA1010+-1Y	
D	211	Silicon, DA1010			VHDDA1010+-1Y	
D	214	Silicon, DA1010			VHDDA1010+-1Y	
D	215	Silicon, DA1010			VHDDA1010+-1Y	
D	218	Silicon, DA1010			VHDDA1010+-1Y	
D	219	Silicon, DA1010			VHDDA1010+-1Y	
D	222	Silicon, DA1010			VHDDA1010+-1Y	
D	223	Silicon, DA1010			VHDDA1010+-1Y	
D	400	Silicon, DA1010			VHDDA1010+-1Y	
D	401	Silicon, DA1010			VHDDA1010+-1Y	
D	501	Silicon, DA1010			VHDDA1010+-1Y	
D	502	Silicon, IN4004			VHDGD1N4004-1T	
D	503	Silicon, IN4004			VHDGD1N4004-1T	
D	504	Silicon, DA1010			VHDDA1010+-1Y	
D	505	Silicon, DA1010			VHDDA1010+-1Y	
D	506	Silicon, DA1010			VHDDA1010+-1Y	
D	507	Silicon, IN4004			VHDGD1N4004-1T	
D	508	Silicon, IN4004			VHDGD1N4004-1T	
D	509	Silicon, IN4004			VHDGD1N4004-1T	
D	510	Silicon, IN4004			VHDGD1N4004-1T	
D	511	Silicon, DA1010			VHDDA1010+-1Y	
D	512	Silicon, IN4148			VHD1N4148H/-1T	
D	513	Silicon, IN4148			VHD1N4148H/-1T	
D	514	Silicon, IN4148			VHD1N4148H/-1T	
D	600	Silicon, DA1010			VHDDA1010+-1Y	
D	601	Silicon, DA1010			VHDDA1010+-1Y	
D	602	Silicon, DA1010			VHDDA1010+-1Y	
D	603	Silicon, DA1010			VHDDA1010+-1Y	
D	604	Silicon, DA1010			VHDDA1010+-1Y	
D	605	Silicon, DA1010			VHDDA1010+-1Y	
D	606	Silicon, DA1010			VHDDA1010+-1Y	
D	610	Silicon, D10XB60			VHDD10XB60F-1	
D	611	Silicon, DA1010			VHDDA1010+-1Y	
D	612	Silicon, DA1010			VHDDA1010+-1Y	
D	614	Silicon, DA1010			VHDDA1010+-1Y	
D	800	Silicon, IN4004			VHDGD1N4004-1T	
D	804	Silicon, IN4004			VHDGD1N4004-1T	
D	805	Silicon, IN4004			VHDGD1N4004-1T	
D	806	Silicon, IN4004			VHDGD1N4004-1T	

SAFETY	NO.	DESCRIPTION	QTY	TRANSFER CODE	PARTS CODE	NEW
D	807	Silicon, IN4004			VHDGD1N4004-1T	
D	808	Silicon, IN4004			VHDGD1N4004-1T	
D	809	Silicon, IN4004			VHDGD1N4004-1T	
D	810	Silicon, IN4004			VHDGD1N4004-1T	
D	811	Silicon, IN4004			VHDGD1N4004-1T	
D	813	Silicon, IN4004			VHDGD1N4004-1T	
D	814	Silicon, IN4004			VHDGD1N4004-1T	
D	828	Silicon, DA1010			VHDDA1010+-1Y	
D	829	Silicon, DA1010			VHDDA1010+-1Y	
D	831	Silicon, DA1010			VHDDA1010+-1Y	
D	832	Silicon, DA1010			VHDDA1010+-1Y	
D	833	Silicon, DA1010			VHDDA1010+-1Y	
D	834	Silicon, DA1010			VHDDA1010+-1Y	
D	835	Silicon, IN4004			VHDGD1N4004-1T	
D	836	Silicon, IN4004			VHDGD1N4004-1T	
D	837	Silicon, IN4004			VHDGD1N4004-1T	
D	838	Silicon, IN4004			VHDGD1N4004-1T	
DZ	501	Zener, 4.3V			RH-EX0607GEZZY	
DZ	600	Zener, 5.6V			RH-EXA741WJQZY	
DZ	800	Zener, 10V			RH-EX0633GEZZY	
DZ	801	Zener, 6.2V			RH-EX0617GEZZY	
DZ	803	Zener, 33V			RH-EX0675GEZZY	
DZ	808	Zener, 6.2V			RH-EXA700WJQZY	
DZ	809	Zener, 8.2V			RH-EXA706WJQZY	
DZ	810	Zener, 11V			RH-EXA712WJQZY	
DZ	811	Zener, 6.2V			RH-EXA700WJQZY	
LED	401	LED, Red			VHPA304VD2H-1	

SAFETY	NO.	DESCRIPTION	QTY	TRANSFER CODE	PARTS CODE	NEW
FILTERS						
		Ring Ferrite Core			RCORF0015AWZZT	
	L 402	Coil, 47 μ H			RBLN-A004AWZZT	
	L 403	Coil, 47 μ H			RBLN-A004AWZZT	
	L 600	Ring Ferrite Core			RCORF0015AWZZT	
	L 608	Chip Ferrite Core			RBLN-0061TAZZY	
	L 609	Chip Ferrite Core			RBLN-0061TAZZY	
S	L 801	AC Line Filter			RCILZA016AWZZ	
TRANSFORMERS						
S	PT 800	Power, Main			RTRNPA153AWZZ	
S	PT 801	Power, Sub			RTRNPA078AWZZ	
COILS						
	L 1	Coil, 10 μ H			VPBNN100K0000T	
	L 501	Coil, 100 μ H			VP-DH101K0000T	
	L 601	Coil			RCILZ0049AWZZ	
	L 602	Bead Inductor			RCILZ2130SCT5T	
	L 603	Bead Inductor			RCILZ2130SCT5T	
	L 604	Coil, 22mH			RCILZA024AWZZ	
	L 605	Coil			RCILZ0055AWZZ	
	L 606	Coil			RCILZ0055AWZZ	
VIBRATOR						
	X 1	Crystal, 16.93 MHz			RCRSPA016AWZZ+	
	X 2	Crystal, 9 MHz			RCRSPA015AWZZ+	
	XL 501	Crystal, 32.768 KHz			RCRSPA014AWZZ	
	XL 502	Resonator, 9.83 MHz			RCRM-A002AWZZ+	
	XL 601	Resonator, 830K			RCRM-A019AWZZ	
	XL 602	Resonator, 750K			RCRM-A018AWZZ	
CAPACITORS						
	C 1	2200 pF, 50V			VCKYCZ1HB222KT	
	C 2	0.1 μ F, 16V			VCKYCZ1CB104KT	
	C 3	0.1 μ F, 16V			VCKYCZ1CB104KT	
	C 4	100 μ F, 10V Electrolytic			VCEAEA1AW107MT	
	C 5	0.01 μ F, 16V			VCKYCZ1CB103KT	
	C 6	4700 pF, 25V			VCKYCZ1EB472KT	
	C 7	0.1 μ F, 16V			VCKYCZ1CB104KT	
	C 8	0.015 μ F, 16V			VCKYCZ1CB153KY	
	C 9	0.1 μ F, 16V			VCKYCZ1CB104KT	
	C 11	0.1 μ F, 16V			VCKYCY1CB104KT	
	C 12	100 μ F, 10V Electrolytic			VCEAEA1AW107MT	
	C 13	0.1 μ F, 16V			VCKYCY1CB104KT	
	C 14	100 μ F, 10V Electrolytic			VCEAEA1AW107MT	
	C 15	0.1 μ F, 16V			VCKYCY1CB104KT	
	C 16	0.1 μ F, 16V			VCKYCY1CB104KT	
	C 17	100 μ F, 10V Electrolytic			VCEAEA1AW107MT	
	C 18	0.1 μ F, 16V			VCKYCZ1CB104KT	
	C 19	100 μ F, 10V Electrolytic			VCEAEA1AW107MT	
	C 20	0.033 μ F, 16V			VCKYCZ1CB333KT	
	C 21	5600 pF, 25V			VCKYCZ1EB562KY	

SAFETY	NO.	DESCRIPTION	QTY	TRANSFER CODE	PARTS CODE	NEW
C	22	0.1μF, 16V			VCKYCY1CB104KT	
C	23	0.1μF, 16V			VCKYCY1CB104KT	
C	24	470pF, 50V			VCCCCZ1HH471JY	
C	25	470pF, 50V			VCCCCZ1HH471JY	
C	26	0.047μF, 10V			VCKYCZ1AB473KT	
C	27	0.047μF, 10V			VCKYCZ1AB473KT	
C	28	0.047μF, 10V			VCKYCZ1AB473KT	
C	29	0.1μF, 16V			VCKYCY1CB104KT	
C	30	0.1μF, 16V			VCKYCY1CB104KT	
C	31	100μF, 10V Electrolytic			VCEAEA1AW107MT	
C	32	680 pF, 16V			VCKYCZ1HB681KY	
C	33	680 pF, 16V			VCKYCZ1HB681KY	
C	34	3.3μF, 50V Electrolytic			VCEAEA1HW335MT	
C	35	3.3μF, 50V Electrolytic			VCEAEA1HW335MT	
C	36	18pF (CH), 50V			VCCCCZ1HH180JY	
C	37	18pF (CH), 50V			VCCCCZ1HH180JY	
C	38	47μF, 6.3V Electrolytic			VCEAEA0JW476MT	
C	39	0.1μF, 16V			VCKYCZ1CB104KT	
C	40	0.1μF, 16V			VCKYCY1CB104KT	
C	41	33pF (CH), 50V			VCCCCY1HH330JT	
C	42	0.1μF, 16V			VCKYCY1CB104KT	
C	43	33pF (CH), 50V			VCCCCY1HH330JT	
C	44	33pF (CH), 50V			VCCCCY1HH330JT	

SAFETY	NO.	DESCRIPTION	QTY	TRANSFER CODE	PARTS CODE	NEW
C	45	33pF (CH), 50V			VCCCCY1HH330JT	
C	46	33pF (CH), 50V			VCCCCY1HH330JT	
C	47	33pF (CH), 50V			VCCCCY1HH330JT	
C	48	33pF (CH), 50V			VCCCCY1HH330JT	
C	49	0.1μF, 16V			VCKYCY1CB104KT	
C	50	0.1μF, 16V			VCKYCZ1CB104KT	
C	51	0.1μF, 16V			VCKYCZ1CB104KT	
C	52	47pF (CH), 50V			VCCCCZ1HH470JT	
C	53	0.015μF, 16V			VCKYCZ1CB153KY	
C	54	100μF, 10V Electrolytic			VCEAEA1AW107MT	
C	55	0.1μF, 16V			VCKYCZ1CB104KT	
C	56	0.01μF, 16V			VCKYCZ1CB103KT	
C	57	0.1μF, 16V			VCKYCZ1CB104KT	
C	58	0.1μF, 16V			VCKYCZ1CB104KT	
C	59	100μF, 10V Electrolytic			VCEAEA1AW107MT	
C	60	0.1μF, 16V			VCKYCY1CB104KT	
C	61	100μF, 10V Electrolytic			VCEAEA1AW107MT	
C	62	0.1μF, 16V			VCKYCY1CB104KT	
C	63	0.1μF, 16V			VCKYCZ1CB104KT	
C	64	220μF, 10V Electrolytic			VCEAEA1AW227MT	
C	65	0.1μF, 16V			VCKYCZ1CB104KT	
C	66	0.1μF, 16V			VCKYCY1CB104KT	
C	67	100μF, 10V Electrolytic			VCEAEA1AW107MT	
C	68	1μF, 10V			VCKYCY1AB105KT	
C	69	0.1μF, 16V			VCKYCY1CB104KT	
C	70	220μF, 10V Electrolytic			VCEAEA1AW227MT	
C	71	0.1μF, 16V			VCKYCZ1CB104KT	
C	72	0.1μF, 16V			VCKYCZ1CB104KT	
C	73	10μF, 16V Electrolytic			VCEAEA1CW106MT	
C	74	0.1μF, 16V			VCKYCZ1CB104KT	
C	75	10μF, 16V Electrolytic			VCEAEA1CW106MT	
C	76	0.1μF, 16V			VCKYCZ1CB104KT	
C	77	0.1μF, 16V			VCKYCZ1CB104KT	
C	78	0.1μF, 16V			VCKYCY1CB104KT	
C	79	33pF (CH), 50V			VCCCCZ1HH330JT	
C	80	33pF (CH), 50V			VCCCCZ1HH330JT	
C	81	0.1μF, 16V			VCKYCZ1CB104KT	
C	82	33pF (CH), 50V			VCCCCY1HH330JT	
C	83	33pF (CH), 50V			VCCCCY1HH330JT	
C	84	0.1μF, 16V			VCKYCY1CB104KT	
C	85	10μF, 16V Electrolytic			VCEAEA1CW106MT	
C	86	0.1μF, 16V			VCKYCZ1CB104KT	
C	89	0.1μF, 16V			VCKYCY1CB104KT	
C	90	10μF, 16V Electrolytic			VCEAEA1CW106MT	
C	93	0.1μF, 16V			VCKYCY1CB104KT	
C	94	470μF, 10V Electrolytic			VCEAZA1AW477MT	
C	95	0.1μF, 16V			VCKYCY1CB104KT	
C	96	220μF, 10V Electrolytic			VCEAEA1AW227MT	
C	97	0.1μF, 16V			VCKYCY1CB104KT	

SAFETY	NO.	DESCRIPTION	QTY	TRANSFER CODE	PARTS CODE	NEW
	C	98	220 μ F, 10V Electrolytic		VCEAEA1AW227MT	
	C	101	0.1 μ F, 16V		VCKYCY1CB104KT	
	C	102	0.1 μ F, 16V		VCKYCY1CB104KT	
	C	103	0.1 μ F, 16V		VCKYCY1CB104KT	
	C	229	0.1 μ F, 16V		VCKYCY1HB104KT	
	C	230	1000pF, 50V		VCKYCY1HB102KT	
	C	231	180pF (CH), 50V		VCCCCY1HH181JT	
	C	232	180pF (CH), 50V		VCCCCY1HH181JT	
	C	233	180pF (CH), 50V		VCCCCY1HH181JT	
	C	234	180pF (CH), 50V		VCCCCY1HH181JT	
	C	235	220pF, 50V		VCKYCY1HB221KT	
	C	236	220pF, 50V		VCKYCY1HB221KT	
	C	238	1000pF, 50V		VCKYCY1HB102KT	
	C	251	1500pF, 50V		VCKYCY1HB152KT	
	C	253	1500pF, 50V		VCKYCY1HB152KT	
	C	255	0.1 μ F, 50V		VCKYCY1HB104KT	
	C	256	2200pF, 50V		VCKYCY1HB222KT	
	C	265	1000pF, 50V		VCKYCY1HB102KT	
	C	268	0.1 μ F, 50V		VCKYCY1HB104KT	
	C	269	1 μ F, 16V		VCKYTV1CB105KT	
	C	270	0.1 μ F, 50V		VCKYCY1HB104KT	
	C	271	0.1 μ F, 50V		VCKYCY1HB104KT	
	C	400	0.022 μ F, 25V		VCKYCY1EF223ZT	
	C	401	1 μ F, 50V Electrolytic		RC-EZD105AF1HT	
	C	402	1 μ F, 50V Electrolytic		RC-EZD105AF1HT	

SAFETY	NO.	DESCRIPTION	QTY	TRANSFER CODE	PARTS CODE	NEW
	C	403	0.022μF, 25V		VCKYCY1EF223ZT	
	C	404	47μF, 50V Electrolytic		RC-EZD476AF1HT	
	C	405	0.022μF, 25V		VCKYCY1EF223ZT	
	C	406	0.01μF, 50V		VCKYCY1HB103KT	
	C	407	100pF (CH), 50V		VCCCCY1HH101JT	
	C	408	100pF (CH), 50V		VCCCCY1HH101JT	
	C	409	100pF (CH), 50V		VCCCCY1HH101JT	
	C	410	1μF, 25V		VCKYCY1EB105KT	
	C	411	82pF (CH), 50V		VCCCCY1HH820JT	
	C	412	47μF, 16V Electrolytic		RC-EZD476AF1CT	
	C	413	220μF, 10V Electrolytic		RC-EZD227AF1AT	
	C	414	0.022μF, 25V		VCKYCY1EF223ZT	
	C	415	150pF (CH), 50V		VCCCCY1HH151JT	
	C	418	1000 pF, 50V		VCKYCY1HB102KT	
	C	419	1000 pF, 50V		VCKYCY1HB102KT	
	C	420	1μF, 25V		VCKYCY1EB105KT	
	C	501	0.1μF, 50V		VCKYCY1HB104KT	
	C	502	1μF, 25V		VCKYCY1EB105KT	
	C	503	1μF, 25V		VCKYCY1EB105KT	
	C	504	220μF, 10V Electrolytic		RC-EZD227AF1AT	
	C	505	0.1μF, 50V		VCFYFA1HA104J+	
	C	506	1μF, 25V		VCKYCY1EB105KT	
	C	507	2.2μF, 50V Electrolytic		RC-EZD225AF1HT	
	C	508	2.2μF, 50V Electrolytic		RC-EZD225AF1HT	
	C	509	1μF, 25V		VCKYCY1EB105KT	
	C	510	18pF (CH), 50V		VCCCCY1HH180JT	
	C	511	18pF (CH), 50V		VCCCCY1HH180JT	
	C	512	0.022μF, 50V		VCFYFA1HA223J+	
	C	513	100pF (CH), 50V		VCCCCY1HH101JT	
	C	514	10μF, 16V Electrolytic		RC-EZD106AF1CT	
	C	515	0.1μF, 50V		VCKYCY1HB104KT	
	C	516	0.22μF, 5.5V Electrolytic		RC-EZ0489GEZZ	
	C	517	0.01μF, 50V		VCKYCY1HB103KT	
	C	518	4.7μF, 50V Electrolytic		RC-EZD475AF1HT	
	C	519	0.01μF, 50V		VCKYCY1HB103KT	
	C	520	10μF, 50V Electrolytic		RC-EZD106AF1HT	
	C	521	0.1μF, 50V		VCKYCY1HB104KT	
	C	522	0.047μF, 50V		VCFYFA1HA473J+	
	C	523	0.047μF, 50V		VCFYFA1HA473J+	
	C	524	1000μF, 25V Electrolytic		RC-EZ3063AWZZ+	
	C	525	2200pF, 50V		VCFYCL1HA222K+	
	C	526	0.022μF, 25V		VCKYCY1EF223ZT	
	C	528	47μF, 25V Electrolytic		RC-EZD476AF1ET	
	C	529	1000μF, 6.3V Electrolytic		VCEAZA0JW108MT	
	C	601	0.1μF, 50V		VCKYCY1HB104KT	
	C	602	1000pF, 50V		VCKYCY1HB102KT	
	C	603	0.1μF, 50V		VCKYCY1HB104KT	
	C	604	0.015μF, 50V		VCFYFA1HA153J+	
	C	605	1μF, 25V		VCKYCY1EB105KT	

SAFETY	NO.	DESCRIPTION	QTY	TRANSFER CODE	PARTS CODE	NEW
	C 606	0.015 μ F, 50V			VCFYFA1HA153J+	
	C 607	1 μ F, 25V			VCKYCY1EB105KT	
	C 608	0.1 μ F, 50V			VCFYFA1HA104J+	
	C 609	0.1 μ F, 50V			VCFYFA1HA104J+	
	C 610	0.47 μ F, 50V			VCFYFA1HA474J+	
	C 611	0.47 μ F, 50V			VCFYFA1HA474J+	
	C 612	0.1 μ F, 50V			VCFYFA1HA104J+	
	C 613	0.1 μ F, 50V			VCKYCY1HB104KT	
	C 614	0.1 μ F, 50V			VCKYCY1HB104KT	
	C 615	470pF (CH), 50V			VCCCCY1HH471JT	
	C 616	47pF (CH), 50V			VCCCCY1HH470JT	
	C 617	1 μ F, 25V			VCKYCY1EB105KT	
	C 618	33pF (CH), 50V			VCCCCY1HH330JT	
	C 619	47pF (CH), 50V			VCCCCY1HH470JT	
	C 620	47pF (CH), 50V			VCCCCY1HH470JT	
	C 621	220pF, 50V			VCKYCY1HB221KT	
	C 622	1000pF, 50V			VCKYCY1HB102KT	
	C 623	220pF, 50V			VCKYCY1HB221KT	
	C 624	3.3 μ F, 50V Electrolytic			VCEAZA1HW335MT	
	C 627	0.1 μ F, 50V			VCKYTV1HB104KT	
	C 628	1000pF, 50V			VCKYCY1HB102KT	
	C 629	22 μ F, 16V Electrolytic			VCEAZA1CW226MT	
	C 630	47 μ F, 50V Electrolytic			RC-EZ3110AWZZ+	
	C 631	0.1 μ F, 50V			VCKYCY1HB104KT	
	C 632	0.1 μ F, 100V			RC-KZA555WJZZY	

SAFETY	NO.	DESCRIPTION	QTY	TRANSFER CODE	PARTS CODE	NEW
	C	633	22μF, 6.3V		RC-KZA214WJZZY	
	C	634	22μF, 6.3V		RC-KZA214WJZZY	
	C	635	0.47μF, 50V		VCKYTV1HB474KT	
	C	636	0.1μF, 50V		VCKYCY1HB104KT	
	C	637	0.1μF, 50V		VCKYCY1HB104KT	
	C	638	220pF, 50V		VCKYCY1HB221KT	
	C	640	0.015μF, 50V		VCKYCY1HB153KT	
	C	641	0.1μF, 50V		VCKYCY1HB104KT	
	C	643	220μF, 10V		RC-EZ3121AWZZ+	
	C	644	220μF, 10V		RC-EZ3121AWZZ+	
	C	646	0.1μF, 50V		VCKYCY1HB104KT	
	C	647	220pF, 50V		VCKYCY1HB221KT	
	C	648	0.015μF, 50V		VCKYCY1HB153KT	
	C	649	22μF, 16V Electrolytic		VCEAZA1CW226MT	
	C	650	47pF (CH), 50V		VCCCCY1HH470JT	
	C	651	0.1μF, 50V		VCKYCY1HB104KT	
	C	652	0.1μF, 50V		VCKYCY1HB104KT	
	C	653	47μF, 50V Electrolytic		RC-EZ3110AWZZ+	
	C	654	22μF, 6.3V		RC-KZA214WJZZY	
	C	655	22μF, 6.3V		RC-KZA214WJZZY	
	C	656	0.1μF, 100V		RC-KZA555WJZZY	
	C	657	220pF, 50V		VCKYCY1HB221KT	
	C	658	0.1μF, 50V		VCKYCY1HB104KT	
	C	659	0.1μF, 50V		VCKYTV1HB104KT	
	C	660	220pF, 50V		VCKYCY1HB221KT	
	C	661	1000pF, 50V		VCKYCY1HB102KT	
	C	663	0.1μF, 50V		VCKYCY1HB104KT	
	C	664	0.1μF, 50V		VCKYCY1HB104KT	
	C	665	47μF, 63V Electrolytic		VCEAZA1JW476MT	
	C	668	470μF, 35V Electrolytic		VCEAZA1VW477MT	
	C	669	470μF, 35V Electrolytic		VCEAZA1VW477MT	
	C	670	270pF, 50V		VCKYPA1HB271KT	
	C	671	270pF, 50V		VCKYPA1HB271KT	
	C	672	100μF, 16V Electrolytic		VCEAZA1CW107MT	
	C	673	3300μF, 35V Electrolytic		VCEAZW1VW338M	
	C	674	3300μF, 35V Electrolytic		VCEAZW1VW338M	
	C	684	22μF, 16V Electrolytic		VCEAZA1CW226MT	
	C	685	220pF, 50V		VCKYCY1HB221KT	
	C	686	220pF, 50V		VCKYCY1HB221KT	
	C	687	1μF, 50V Electrolytic		VCEAZA1HW105MT	
	C	688	1μF, 50V Electrolytic		VCEAZA1HW105MT	
	C	689	1μF, 50V Electrolytic		VCEAZA1HW105MT	
	C	690	1μF, 50V Electrolytic		VCEAZA1HW105MT	
	C	691	4700pF, 50V		VCIFYCL1HA472K+	
	C	692	0.15μF, 16V		VCKYCY1CB154KT	
	C	693	0.15μF, 16V		VCKYCY1CB154KT	
	C	694	4700pF, 50V		VCKYPA1HB472KT	
	C	699	1μF, 50V Electrolytic		VCEAZA1HW105MT	
	C	700	1μF, 50V Electrolytic		VCEAZA1HW105MT	

SAFETY	NO.	DESCRIPTION	QTY	TRANSFER CODE	PARTS CODE	NEW
	C	701	1μF, 50V Electrolytic		VCEAZA1HW105MT	
	C	702	1μF, 50V Electrolytic		VCEAZA1HW105MT	
	C	703	4700pF, 50V		VCFYCL1HA472K+	
	C	704	0.15μF, 16V		VCKYCY1CB154KT	
	C	705	0.15μF, 16V		VCKYCY1CB154KT	
	C	706	4700pF, 50V		VCKYPA1HB472KT	
	C	707	4.7μF, 50V Electrolytic		VCEAZA1HW475MT	
	C	708	22μF, 16V Electrolytic		VCEAZA1CW226MT	
	C	709	0.1μF, 50V		VCKYCY1HB104KT	
	C	710	100μF, 16V Electrolytic		VCEAZA1CW107MT	
	C	711	180pF (CH), 50V		VCCCCY1HH181JT	
	C	712	180pF (CH), 50V		VCCCCY1HH181JT	
	C	717	0.1μF, 50V		VCKYCY1HB104KT	
	C	718	0.1μF, 50V		VCKYCY1HB104KT	
	C	721	0.1μF, 50V		VCKYTV1HB104KT	
	C	722	0.1μF, 50V		VCFYFA1HA104J+	
	C	723	0.1μF, 50V		VCFYFA1HA104J+	
	C	724	100μF, 16V Electrolytic		VCEAZA1CW107MT	
	C	725	10μF, 16V Electrolytic		VCEAZA1CW106MT	
	C	727	10μF, 16V Electrolytic		VCEAZA1CW106MT	
	C	733	220μF, 10V		RC-EZ3121AWZZ+	
	C	734	220μF, 10V		RC-EZ3121AWZZ+	
	C	735	2.2μF, 50V		RC-EZ3057AWZZ+	
	C	736	2.2μF, 50V		RC-EZ3057AWZZ+	
	C	737	47μF, 50V Electrolytic		RC-EZ3110AWZZ+	

SAFETY	NO.	DESCRIPTION	QTY	TRANSFER CODE	PARTS CODE	NEW
	C	738	47μF, 50V Electrolytic		RC-EZ3110AWZZ+	
	C	739	0.1μF, 50V		VCKYCY1HB104KT	
	C	740	0.1μF, 50V		VCKYCY1HB104KT	
	C	741	0.1μF, 50V		VCKYCY1HB104KT	
	C	742	0.1μF, 50V		VCKYCY1HB104KT	
	C	743	100μF, 16V Electrolytic		VCEAZA1CW107MT	
	C	744	0.15μF, 16V		VCKYCY1CB154KT	
	C	745	0.15μF, 16V		VCKYCY1CB154KT	
	C	746	0.15μF, 16V		VCKYCY1CB154KT	
	C	747	0.15μF, 16V		VCKYCY1CB154KT	
	C	749	100pF (CH), 50V		VCCCCY1HH101JT	
	C	750	100pF (CH), 50V		VCCCCY1HH101JT	
	C	753	100pF (CH), 50V		VCCCCY1HH101JT	
	C	754	47pF (CH), 50V		VCCCCY1HH470JT	
	C	755	47pF (CH), 50V		VCCCCY1HH470JT	
	C	756	47pF (CH), 50V		VCCCCY1HH470JT	
	C	757	47pF (CH), 50V		VCCCCY1HH470JT	
	C	758	47pF (CH), 50V		VCCCCY1HH470JT	
	C	759	47pF (CH), 50V		VCCCCY1HH470JT	
	C	760	33pF (CH), 50V		VCCCCY1HH330JT	
	C	761	33pF (CH), 50V		VCCCCY1HH330JT	
	C	800	0.1μF, 50V		VCFYFA1HA104J+	
	C	801	47μF, 50V Electrolytic		VCEAZA1HW476MT	
	C	803	1000μF, 25V Electrolytic		RC-EZ3063AWZZ+	
	C	804	100μF, 35V Electrolytic		VCEAZA1VW107MT	
	C	806	47μF, 50V Electrolytic		VCEAZA1HW476MT	
	C	807	100μF, 35V Electrolytic		VCEAZA1HW107MT	
	C	808	0.1μF, 50V		VCFYFA1HA104J+	
	C	809	0.1μF, 50V		VCFYFA1HA104J+	
	C	811	47μF, 50V Electrolytic		VCEAZA1HW476MT	
	C	816	220μF, 63V Electrolytic		VCEAZA1JW227MT	
	C	819	100μF, 35V Electrolytic		VCEAZA1HW107MT	
	C	820	100μF, 35V Electrolytic		VCEAZA1HW107MT	
S	C	822	4700pF, AC250V		RC-KZ002LAWZZ	
S	C	823	0.1μF, AC250V		RC-QZ0030AWZZ	
	C	824	100μF, 63V Electrolytic		VCEAZA1JW107MT	
	C	840	220μF, 16V Electrolytic		VCEAZA1CW227MT	
	C	841	47μF, 25V Electrolytic		VCEAZA1EW476MT	
	C	842	470μF, 16V Electrolytic		VCEAZA1CW477MT	
	C	843	470μF, 16V Electrolytic		VCEAZA1CW477MT	
	C	846	0.1μF, 50V		VCFYFA1HA104J+	
	C	848	0.1μF, 50V		VCFYFA1HA104J+	
	C	849	0.1μF, 50V		VCFYFA1HA104J+	
	C	850	0.1μF, 50V		VCFYFA1HA104J+	
	C	851	0.1μF, 50V		VCFYFA1HA104J+	
	C	853	6800μF, 25V Electrolytic		RC-EZ3106AWZZ	
	C	854	2200μF, 25V Electrolytic		VCEAZV1EW228M	
	C	855	0.1μF, 50V		VCKYTQ1HB104KT	
	C	856	0.1μF, 50V		VCKYTQ1HB104KT	

SAFETY	NO.	DESCRIPTION	QTY	TRANSFER CODE	PARTS CODE	NEW
C	857	470 μ F, 25V Electrolytic			VCEAZA1EW477MT	
RESISTORS						
D	515	0 Ω ,Jumper,1.25 X 2mm			VRS-TV2AB000JT	
D	613	3.3 k Ω ,1/6W			VRD-ST2CD332JT	
J	214	0 Ω ,Jumper,0.8 X 1.55mm			VRS-CY1JB000JT	
J	215	0 Ω ,Jumper,0.8 X 1.55mm			VRS-CY1JB000JT	
JP	501	0 Ω ,Jumper,0.8 X 1.55mm			VRS-CY1JB000JT	
JP	601	0 Ω ,Jumper,1.25 X 2mm			VRS-TV2AB000JT	
JP	602	0 Ω ,Jumper,0.8 X 1.55mm			VRS-CY1JB000JT	
JP	603	0 Ω ,Jumper,1.25 X 2mm			VRS-TV2AB000JT	
JP	604	0 Ω ,Jumper,0.8 X 1.55mm			VRS-CY1JB000JT	
JP	605	0 Ω ,Jumper,0.8 X 1.55mm			VRS-CY1JB000JT	
JP	606	0 Ω ,Jumper,0.8 X 1.55mm			VRS-CY1JB000JT	
JP	607	0 Ω ,Jumper,0.8 X 1.55mm			VRS-CY1JB000JT	
JP	608	0 Ω ,Jumper,0.8 X 1.55mm			VRS-CY1JB000JT	
L	2	0 Ω ,Jumper,1.25 X 2mm			VRS-TV2AB000JT	
L	3	0 Ω ,Jumper,1.25 X 2mm			VRS-TV2AB000JT	
L	4	0 Ω ,Jumper,1.25 X 2mm			VRS-TV2AB000JT	
L	101	0 Ω ,Jumper,1.25 X 2mm			VRS-TV2AB000JT	
L	200	0 Ω ,Jumper,1.25 X 2mm			VRS-TV2AB000JT	
L	400	0 Ω ,Jumper,1.25 X 2mm			VRS-TV2AB000JT	
L	401	0 Ω ,Jumper,1.25 X 2mm			VRS-TV2AB000JT	
R	1	220 Ω ,1/16W			VRS-CZ1JB221JT	
R	2	0 Ω ,Jumper,0.8 X 1.55mm			VRS-CZ1JB000JT	

SAFETY	NO.	DESCRIPTION	QTY	TRANSFER CODE	PARTS CODE	NEW
R	3	0Ω,Jumper,0.8 X 1.55mm			VRS-CZ1JB000JT	
R	4	0Ω,Jumper,0.8 X 1.55mm			VRS-CZ1JB000JT	
R	5	0Ω,Jumper,0.8 X 1.55mm			VRS-CZ1JB000JT	
R	6	0Ω,Jumper,0.8 X 1.55mm			VRS-CZ1JB000JT	
R	7	0Ω,Jumper,0.8 X 1.55mm			VRS-CZ1JB000JT	
R	8	0Ω,Jumper,0.8 X 1.55mm			VRS-CZ1JB000JT	
R	9	10 Ω,1/16W			VRS-CZ1JB100JT	
R	11	12 kΩ,1/16W			VRS-CZ1JB123JT	
R	12	10 kΩ,1/16W			VRS-CZ1JB103JT	
R	13	12 kΩ,1/16W			VRS-CZ1JB123JT	
R	14	10 kΩ,1/16W			VRS-CZ1JB103JT	
R	15	3.9 kΩ,1/16W			VRS-CZ1JB392JT	
R	16	100 kΩ,1/16W			VRS-CZ1JB104JT	
R	17	100 kΩ,1/16W			VRS-CZ1JB104JT	
R	18	100 kΩ,1/16W			VRS-CZ1JB104JT	
R	19	1 kΩ,1/16W			VRS-CZ1JB102JT	
R	20	2.2 kΩ,1/16W			VRS-CZ1JB222JT	
R	21	22 Ω,1/16W			VRS-CY1JB220JT	
R	22	22 Ω,1/16W			VRS-CY1JB220JT	
R	23	0Ω,Jumper,0.8 X 1.55mm			VRS-CZ1JB000JT	
R	24	0Ω,Jumper,0.8 X 1.55mm			VRS-CZ1JB000JT	
R	26	0Ω,Jumper,1.25 X 2mm			VRS-TV2AB000JT	
R	27	0Ω,Jumper,0.8 X 1.55mm			VRS-CZ1JB000JT	
R	28	0Ω,Jumper,0.8 X 1.55mm			VRS-CZ1JB000JT	
R	29	1 MΩ,1/16W			VRS-CY1JB105JT	
R	30	0Ω,Jumper,0.8 X 1.55mm			VRS-CY1JB000JT	
R	31	100 kΩ,1/16W			VRS-CY1JB104JT	
R	32	100 kΩ,1/16W			VRS-CY1JB104JT	
R	33	10 kΩ,1/16W			VRS-CZ1JB103JT	
R	34	10 kΩ,1/16W			VRS-CZ1JB103JT	
R	35	330 kΩ,1/16W			VRS-CZ1JB334JT	
R	36	15 kΩ,1/16W			VRS-CZ1JB153JT	
R	37	47 kΩ,1/16W			VRS-CY1JB473JT	
R	38	3.9 kΩ,1/16W			VRS-CZ1JB392JT	
R	39	4.7 kΩ,1/16W			VRS-CZ1JB472JT	
R	40	6.8 kΩ,1/16W			VRS-CZ1JB682JT	
R	43	47 kΩ,1/16W			VRS-CZ1JB473JT	
R	44	1 kΩ,1/16W			VRS-CZ1JB102JT	
R	45	1 kΩ,1/16W			VRS-CZ1JB102JT	
R	46	1 kΩ,1/16W			VRS-CZ1JB102JT	
R	47	470 Ω,1/16W			VRS-CZ1JB471JT	
R	48	1 kΩ,1/16W			VRS-CZ1JB102JT	
R	49	10 kΩ,1/16W			VRS-CZ1JB103JT	
R	50	10 kΩ,1/16W			VRS-CZ1JB103JT	
R	51	10 kΩ,1/16W			VRS-CZ1JB103JT	
R	52	100 Ω,1/16W			VRS-CZ1JB101JT	
R	53	10 kΩ,1/16W			VRS-CZ1JB103JT	
R	56	10 kΩ,1/16W			VRS-CZ1JB103JT	
R	57	820 Ω,1/16W			VRS-CZ1JB821JT	

SAFETY	NO.	DESCRIPTION	QTY	TRANSFER CODE	PARTS CODE	NEW
R	58	820 Ω , 1/16W			VRS-CZ1JB821JT	
R	59	820 Ω , 1/16W			VRS-CZ1JB821JT	
R	60	820 Ω , 1/16W			VRS-CZ1JB821JT	
R	61	820 Ω , 1/16W			VRS-CZ1JB821JT	
R	62	820 Ω , 1/16W			VRS-CZ1JB821JT	
R	64	10 k Ω , 1/16W			VRS-CZ1JB103JT	
R	65	820 Ω , 1/16W			VRS-CZ1JB821JT	
R	66	100 k Ω , 1/16W			VRS-CZ1JB104JT	
R	67	1 k Ω , 1/16W			VRS-CZ1JB102JT	
R	68	100 Ω , 1/16W			VRS-CZ1JB101JT	
R	69	1 M Ω , 1/16W			VRS-CY1JB105JT	
R	70	0 Ω , Jumper, 0.8 X 1.55mm			VRS-CZ1JB000JT	
R	71	0 Ω , Jumper, 0.8 X 1.55mm			VRS-CZ1JB000JT	
R	72	10 k Ω , 1/16W			VRS-CZ1JB103JT	
R	73	27 Ω , 1/16W			VRS-CZ1JB270JT	
R	74	27 Ω , 1/16W			VRS-CZ1JB270JT	
R	75	1.5 k Ω , 1/16W			VRS-CY1JB152JT	
R	76	15 k Ω , 1/16W			VRS-CY1JB153JT	
R	77	15 k Ω , 1/16W			VRS-CY1JB153JT	
R	78	1 k Ω , 1/16W			VRS-CZ1JB102JT	
R	79	1 k Ω , 1/16W			VRS-CZ1JB102JT	
R	80	100 Ω , 1/16W			VRS-CZ1JB101JT	
R	81	100 Ω , 1/16W			VRS-CZ1JB101JT	
R	82	100 Ω , 1/16W			VRS-CZ1JB101JT	
R	83	100 Ω , 1/16W			VRS-CZ1JB101JT	

SAFETY	NO.	DESCRIPTION	QTY	TRANSFER CODE	PARTS CODE	NEW
R	84	100 Ω,1/16W			VRS-CZ1JB101JT	
R	85	100 Ω,1/16W			VRS-CZ1JB101JT	
R	86	10 kΩ,1/16W			VRS-CZ1JB103JT	
R	87	10 kΩ,1/16W			VRS-CZ1JB103JT	
R	88	10 kΩ,1/16W			VRS-CZ1JB103JT	
R	89	820 Ω,1/16W			VRS-CZ1JB821JT	
R	90	2.2 kΩ,1/16W			VRS-CY1JB222JT	
R	91	2.2 kΩ,1/16W			VRS-CY1JB222JT	
R	92	10 kΩ,1/16W			VRS-CY1JB103JT	
R	95	0Ω,Jumper,0.8 X 1.55mm			VRS-CY1JB000JT	
R	96	0Ω,Jumper,0.8 X 1.55mm			VRS-CY1JB000JT	
R	97	10 kΩ,1/16W			VRS-CZ1JB103JT	
R	98	470 Ω,1/16W			VRS-CZ1JB471JT	
R	101	47 kΩ,1/16W			VRS-CY1JB473DT	
R	224	33 kΩ,1/16W			VRS-CY1JB333JT	
R	225	10 kΩ,1/16W			VRS-CY1JB103JT	
R	227	10 kΩ,1/16W			VRS-CY1JB103JT	
R	228	33 kΩ,1/16W			VRS-CY1JB333JT	
R	229	1.8 kΩ,1/16W			VRS-CY1JB182JT	
R	230	1.8 kΩ,1/16W			VRS-CY1JB182JT	
R	231	5.6 kΩ,1/16W			VRS-CY1JB562JT	
R	232	5.6 kΩ,1/16W			VRS-CY1JB562JT	
R	240	10 Ω,1/16W			VRS-CY1JB100JT	
R	241	10 Ω,1/16W			VRS-CY1JB100JT	
R	244	10 Ω,1/16W			VRS-CY1JB100JT	
R	245	10 Ω,1/16W			VRS-CY1JB100JT	
R	400	1.5 kΩ,1/6W			VRS-CY1JB152JT	
R	401	22 kΩ,1/16W			VRS-CY1JB223JT	
R	402	1 kΩ,1/16W			VRS-CY1JB102JT	
R	403	1 kΩ,1/16W			VRS-CY1JB102JT	
R	404	1 kΩ,1/16W			VRS-CY1JB102JT	
R	405	1 kΩ,1/16W			VRS-CY1JB102JT	
R	406	1 kΩ,1/16W			VRS-CY1JB102JT	
R	411	1.8 kΩ,1/16W			VRS-CY1JB182JT	
R	412	2.2 kΩ,1/16W			VRS-CY1JB222JT	
R	413	3.3 kΩ,1/16W			VRS-CY1JB332JT	
R	414	4.7 kΩ,1/16W			VRS-CY1JB472JT	
R	415	2.7 kΩ,1/16W			VRS-CY1JB272JT	
R	416	2.7 kΩ,1/16W			VRS-CY1JB272JT	
R	501	10 kΩ,1/6W			VRD-ST2CD103JT	
R	502	10 kΩ,1/6W			VRD-ST2CD103JT	
R	503	10 kΩ,1/6W			VRD-ST2CD103JT	
R	504	10 kΩ,1/6W			VRD-ST2CD103JT	
R	505	10 kΩ,1/6W			VRD-ST2CD103JT	
R	506	10 kΩ,1/16W			VRS-CY1JB103JT	
R	507	0Ω,Jumper,0.8 X 1.55mm			VRS-CY1JB000JT	
R	508	3.3 kΩ,1/16W			VRS-CY1JB332JT	
R	509	1 kΩ,1/16W			VRS-CY1JB102JT	
R	510	1 kΩ,1/16W			VRS-CY1JB102JT	

SAFETY	NO.	DESCRIPTION	QTY	TRANSFER CODE	PARTS CODE	NEW
R	511	1 k Ω , 1/16W			VRS-CY1JB102JT	
R	512	1 k Ω , 1/16W			VRS-CY1JB102JT	
R	513	1 k Ω , 1/16W			VRS-CY1JB102JT	
R	514	100 Ω , 1/16W			VRS-CY1JB101JT	
R	515	1 k Ω , 1/16W			VRS-CY1JB102JT	
R	516	1 k Ω , 1/16W			VRS-CY1JB102JT	
R	517	1 k Ω , 1/16W			VRS-CY1JB102JT	
R	518	1 k Ω , 1/6W			VRD-ST2CD102JT	
R	519	1 k Ω , 1/6W			VRD-ST2CD102JT	
R	520	1 k Ω , 1/6W			VRD-ST2CD102JT	
R	522	1 k Ω , 1/6W			VRD-ST2CD102JT	
R	523	1 k Ω , 1/16W			VRS-CY1JB102JT	
R	524	1 k Ω , 1/6W			VRD-ST2CD102JT	
R	527	1 k Ω , 1/6W			VRD-ST2CD102JT	
R	529	1 k Ω , 1/6W			VRD-ST2CD102JT	
R	531	1 k Ω , 1/6W			VRD-ST2CD102JT	
R	533	1 k Ω , 1/6W			VRD-ST2CD102JT	
R	534	1 k Ω , 1/6W			VRD-ST2CD102JT	
R	535	1 k Ω , 1/6W			VRD-ST2CD102JT	
R	536	1 k Ω , 1/6W			VRD-ST2CD102JT	
R	537	220 k Ω , 1/16W			VRS-CY1JB224JT	
R	538	1 k Ω , 1/6W			VRD-ST2CD102JT	
R	539	1 k Ω , 1/6W			VRD-ST2CD102JT	
R	540	1 k Ω , 1/6W			VRD-ST2CD102JT	
R	541	1 k Ω , 1/6W			VRD-ST2CD102JT	

SAFETY	NO.	DESCRIPTION	QTY	TRANSFER CODE	PARTS CODE	NEW
R	542	1 k Ω , 1/6W			VRD-ST2CD102JT	
R	543	1 k Ω , 1/6W			VRD-ST2CD102JT	
R	544	1 k Ω , 1/6W			VRD-ST2CD102JT	
R	545	1 k Ω , 1/6W			VRD-ST2CD102JT	
R	546	220 Ω , 1/16W			VRS-CY1JB221JT	
R	547	1 k Ω , 1/6W			VRD-ST2CD102JT	
R	548	1 k Ω , 1/6W			VRD-ST2CD102JT	
R	549	1 k Ω , 1/6W			VRD-ST2CD102JT	
R	550	10 k Ω , 1/16W			VRS-CY1JB103JT	
R	551	1 k Ω , 1/16W			VRS-CY1JB102JT	
R	552	1 k Ω , 1/16W			VRS-CY1JB102JT	
R	555	1 k Ω , 1/6W			VRD-ST2CD102JT	
R	556	1 k Ω , 1/6W			VRD-ST2CD102JT	
R	558	1 k Ω , 1/6W			VRD-ST2CD102JT	
R	562	1 k Ω , 1/16W			VRS-CY1JB102JT	
R	563	220 Ω , 1/6W			VRD-ST2CD221JT	
R	564	3.3 k Ω , 1/16W			VRS-CY1JB332JT	
R	565	220 Ω , 1/6W			VRD-ST2CD221JT	
R	566	3.3 k Ω , 1/16W			VRS-CY1JB332JT	
R	567	10 k Ω , 1/6W			VRD-ST2CD103JT	
R	568	1 k Ω , 1/16W			VRS-CY1JB102JT	
R	569	1 k Ω , 1/16W			VRS-CY1JB102JT	
R	570	1 k Ω , 1/6W			VRD-ST2CD102JT	
R	571	1 k Ω , 1/6W			VRD-ST2CD102JT	
R	572	1 k Ω , 1/6W			VRD-ST2CD102JT	
R	573	1 k Ω , 1/6W			VRD-ST2CD102JT	
R	574	1 k Ω , 1/6W			VRD-ST2CD102JT	
R	575	1 k Ω , 1/6W			VRD-ST2CD102JT	
R	576	1 k Ω , 1/6W			VRD-ST2CD102JT	
R	577	1 k Ω , 1/6W			VRD-ST2CD102JT	
R	578	470 Ω , 1/6W			VRD-ST2CD470JT	
R	579	470 Ω , 1/6W			VRD-ST2CD470JT	
R	580	470 Ω , 1/6W			VRD-ST2CD470JT	
R	581	470 Ω , 1/6W			VRD-ST2CD470JT	
R	582	3.3 k Ω , 1/6W			VRD-ST2CD332JT	
R	583	150 Ω , 1/16W			VRS-CY1JB151JT	
R	584	150 Ω , 1/16W			VRS-CY1JB151JT	
R	585	100 k Ω , 1/16W			VRS-CY1JB104JT	
R	586	680 Ω , 1/16W			VRS-CY1JB681JT	
R	587	1 k Ω , 1/6W			VRD-ST2CD102JT	
R	588	1 k Ω , 1/6W			VRD-ST2CD102JT	
R	589	1 k Ω , 1/6W			VRD-ST2CD102JT	
R	590	10 k Ω , 1/6W			VRD-ST2CD103JT	
R	591	10 k Ω , 1/6W			VRD-ST2CD103JT	
R	592	47 k Ω , 1/16W			VRS-CY1JB473JT	
R	593	100 k Ω , 1/6W			VRD-ST2CD104JT	
R	594	47 k Ω , 1/16W			VRS-CY1JB473JT	
R	595	1 k Ω , 1/6W			VRD-ST2CD102JT	
R	596	82 Ω , 1/2W			VRD-RT2HD820JT	

SAFETY	NO.	DESCRIPTION	QTY	TRANSFER CODE	PARTS CODE	NEW
R	597	10 kΩ,1/16W			VRS-CY1JB103JT	
R	598	220 Ω,1/16W			VRS-CY1JB221JT	
R	599	3.3 kΩ,1/6W			VRD-ST2CD332JT	
R	600	0Ω,Jumper,1.55 X 3.1mm, Green			VRS-TQ2BB000JT	
R	601	100 kΩ,1/2W			VRD-RT2HD104JT	
R	607	22 Ω, 1W			VRS-VV3AA220J+	
R	608	22 Ω, 1W			VRS-VV3AA220J+	
R	609	10 kΩ,1/16W			VRS-CY1JB103JT	
R	610	100 Ω,1/16W			VRS-CY1JB101JT	
R	611	10 kΩ,1/16W			VRS-CY1JB103JT	
R	612	1.5 kΩ,1/16W			VRS-CY1JB152JT	
R	613	1.5 kΩ,1/16W			VRS-CY1JB152JT	
R	614	5.6 kΩ,1/16W			VRS-CY1JB562JT	
R	615	1 MΩ,1/16W			VRS-CY1JB105JT	
R	616	10 kΩ,1/16W			VRS-CY1JB103JT	
R	617	6.8 kΩ,1/16W			VRS-CY1JB682JT	
R	618	100 kΩ,1/6W			VRD-ST2CD104JT	
R	619	5.6 kΩ,1/16W			VRS-CY1JB562JT	
R	620	100 kΩ,1/16W			VRS-CY1JB104JT	
R	621	100 kΩ,1/6W			VRD-ST2CD104JT	
R	622	10 kΩ,1/16W			VRS-CY1JB103JT	
R	623	56 kΩ,1/16W			VRS-CY1JB563JT	
R	624	10 kΩ,1/16W			VRS-CY1JB103JT	
R	625	10 kΩ,1/16W			VRS-CY1JB103JT	
R	626	10 Ω,1/8W			VRS-TQ2BB100JT	

SAFETY	NO.	DESCRIPTION	QTY	TRANSFER CODE	PARTS CODE	NEW
R	627	1 k Ω ,1/16W			VRS-CY1JB102JT	
R	628	0 Ω ,Jumper,1.25 X 2mm			VRS-TV2AB000JT	
R	630	0 Ω ,Jumper,0.8 X 1.55mm			VRS-CY1JB000JT	
R	631	47 Ω ,1/16W			VRS-CY1JB470JT	
R	632	5.6 k Ω ,1/16W			VRS-CY1JB562JT	
R	633	5.6 k Ω ,1/16W			VRS-CY1JB562JT	
R	634	1.2 k Ω ,1/16W			VRS-CY1JB122JT	
R	635	10 k Ω ,1/16W			VRS-CY1JB103JT	
R	636	1 M Ω ,1/16W			VRS-CY1JB105JT	
R	637	10 k Ω ,1/16W			VRS-CY1JB103JT	
R	638	470 Ω ,1/16W			VRS-CY1JB471JT	
R	640	10 k Ω ,1/16W			VRS-CY1JB103JT	
R	642	33 Ω ,1/4W			VRD-ST2EE330JT	
R	645	33 Ω ,1/4W			VRD-ST2EE330JT	
R	648	470 Ω ,1/16W			VRS-CY1JB471JT	
R	649	10 k Ω ,1/16W			VRS-CY1JB103JT	
R	650	10 k Ω ,1/16W			VRS-CY1JB103JT	
R	651	10 k Ω ,1/16W			VRS-CY1JB103JT	
R	652	1.2 k Ω ,1/16W			VRS-CY1JB122JT	
R	653	0 Ω ,Jumper,0.8 X 1.55mm			VRS-CY1JB000JT	
R	654	47 Ω ,1/16W			VRS-CY1JB470JT	
R	655	1 M Ω ,1/16W			VRS-CY1JB105JT	
R	656	0 Ω ,Jumper,0.8 X 1.55mm			VRS-CY1JB000JT	
R	657	10 Ω ,1/8W			VRS-TQ2BB100JT	
R	658	5.6 k Ω ,1/16W			VRS-CY1JB562JT	
R	660	5.6 k Ω ,1/16W			VRS-CY1JB562JT	
R	661	0 Ω ,Jumper,0.8 X 1.55mm			VRS-CY1JB000JT	
R	662	0 Ω ,Jumper,0.8 X 1.55mm			VRS-CY1JB000JT	
R	665	10 Ω ,1/8W			VRS-TQ2BB100JT	
R	666	10 Ω ,1/8W			VRS-TQ2BB100JT	
R	667	10 k Ω ,1/8W			VRS-TQ2BB103JT	
R	668	10 k Ω ,1/8W			VRS-TQ2BB103JT	
R	669	10 k Ω ,1/16W			VRS-CY1JB103JT	
R	670	10 k Ω ,1/16W			VRS-CY1JB103JT	
R	674	0 Ω ,Jumper,0.8 X 1.55mm			VRS-CY1JB000JT	
R	675	0 Ω ,Jumper,0.8 X 1.55mm			VRS-CY1JB000JT	
R	679	3.3 k Ω ,1/16W			VRS-CY1JB332JT	
R	680	3.3 k Ω ,1/16W			VRS-CY1JB332JT	
R	683	1 k Ω ,1/16W			VRS-CY1JB102JT	
R	684	1 k Ω ,1/16W			VRS-CY1JB102JT	
R	685	1 k Ω ,1/16W			VRS-CY1JB102JT	
R	686	1 k Ω ,1/16W			VRS-CY1JB102JT	
R	687	0 Ω ,Jumper,0.8 X 1.55mm			VRS-CY1JB000JT	
R	691	1 k Ω ,1/16W			VRS-CY1JB102JT	
R	692	1 k Ω ,1/16W			VRS-CY1JB102JT	
R	693	1 k Ω ,1/16W			VRS-CY1JB102JT	
R	694	1 k Ω ,1/16W			VRS-CY1JB102JT	
R	695	0 Ω ,Jumper,1.55 X 3.1mm, Green			VRS-TQ2BB000JT	
R	696	0 Ω ,Jumper,1.55 X 3.1mm, Green			VRS-TQ2BB000JT	

SAFETY	NO.	DESCRIPTION	QTY	TRANSFER CODE	PARTS CODE	NEW
R	699	0Ω, Jumper, 1.55 X 3.1mm, Green			VRS-TQ2BB000JT	
R	700	2.2 kΩ, 1/16W			VRS-CY1JB222JT	
R	701	3.3 kΩ, 1/16W			VRS-CY1JB332JT	
R	702	3.3 kΩ, 1/16W			VRS-CY1JB332JT	
R	703	2.2 kΩ, 1/16W			VRS-CY1JB222JT	
R	704	0Ω, Jumper, 1.25 X 2mm			VRS-TV2AB000JT	
R	705	15 kΩ, 1/16W			VRS-CY1JB153JT	
R	706	100 kΩ, 1/16W			VRS-CY1JB104JT	
R	707	100 kΩ, 1/16W			VRS-CY1JB104JT	
R	708	15 kΩ, 1/16W			VRS-CY1JB153JT	
R	719	1 kΩ, 1/16W			VRS-CY1JB102JT	
R	720	1 kΩ, 1/16W			VRS-CY1JB102JT	
R	721	10 kΩ, 1/16W			VRS-CY1JB103JT	
R	722	10 kΩ, 1/16W			VRS-CY1JB103JT	
R	724	0Ω, Jumper, 1.55 X 3.1mm, Green			VRS-TQ2BB000JT	
R	725	100 kΩ, 1/8W			VRS-TQ2BB104JT	
R	726	47 kΩ, 1/8W			VRS-TQ2BB473JT	
R	741	15 kΩ, 1/16W			VRS-CY1JB153JT	
R	742	100 kΩ, 1/16W			VRS-CY1JB104JT	
R	743	10 kΩ, 1/16W			VRS-CY1JB103JT	
R	744	390 Ω, 1/16W			VRS-CY1JB391JT	
R	745	10 kΩ, 1/16W			VRS-CY1JB103JT	
R	746	10 kΩ, 1/16W			VRS-CY1JB103JT	
R	747	220 Ω, 1/16W			VRS-CY1JB221JT	
R	748	10 Ω, 1/16W			VRS-CY1JB100JT	

SAFETY	NO.	DESCRIPTION	QTY	TRANSFER CODE	PARTS CODE	NEW
R	749	10 k Ω , 1/16W			VRS-CY1JB103JT	
R	750	10 k Ω , 1/16W			VRS-CY1JB103JT	
R	751	10 k Ω , 1/16W			VRS-CY1JB103JT	
R	752	10 k Ω , 1/16W			VRS-CY1JB103JT	
R	753	10 Ω , 1/16W			VRS-CY1JB100JT	
R	754	220 Ω , 1/16W			VRS-CY1JB221JT	
R	755	10 k Ω , 1/16W			VRS-CY1JB103JT	
R	756	10 k Ω , 1/16W			VRS-CY1JB103JT	
R	757	390 Ω , 1/16W			VRS-CY1JB391JT	
R	758	10 k Ω , 1/16W			VRS-CY1JB103JT	
R	759	100 k Ω , 1/16W			VRS-CY1JB104JT	
R	760	15 k Ω , 1/16W			VRS-CY1JB153JT	
R	761	33 Ω , 1/4W			VRD-ST2EE330JT	
R	762	33 Ω , 1/4W			VRD-ST2EE330JT	
R	765	33 k Ω , 1/6W			VRD-ST2CD333JT	
R	766	33 k Ω , 1/16W			VRS-CY1JB333JT	
R	769	10 k Ω , 1/16W			VRS-CY1JB103JT	
R	801	220 Ω , 1/6W			VRD-ST2CD221JT	
R	803	2.2 k Ω , 1/6W			VRD-ST2CD222JT	
R	804	12 k Ω , 1/8W			VRS-TQ2BB123JT	
R	805	47 Ω , 1/2W			VRD-RT2HD470JT	
R	806	47 Ω , 1/2W			VRD-RT2HD470JT	
R	808	10 k Ω , 1/6W			VRD-ST2CD103JT	
R	810	100 Ω , 1/4W			VRD-ST2EE101JT	
R	811	2.2 k Ω , 1/2W			VRD-RT2HD222JT	
R	812	47 k Ω , 1/8W			VRS-TQ2BB473JT	
R	814	3.3 Ω , 1/8W			VRS-TQ2EF3R3JY	
R	844	47 k Ω , 1/8W			VRS-TQ2BB473JT	
R	845	470 k Ω , 1/16W			VRS-CY1JB474JT	
R	846	39 k Ω , 1/8W			VRS-TQ2BB393JT	
R	871	330 Ω , 1/8W			VRS-TQ2BB331JT	
R	872	10 Ω , 1/8W			VRS-TQ2BB100JT	
RA	2	220 Ω , 1/16W			VRS-CZ1JB221JT	
RA	3	220 Ω , 1/16W			VRS-CZ1JB221JT	
RA	4	220 Ω , 1/16W			VRS-CZ1JB221JT	
RA	5	220 Ω , 1/16W			VRS-CZ1JB221JT	
RA	6	220 Ω , 1/16W			VRS-CZ1JB221JT	
RA	7	220 Ω , 1/16W			VRS-CZ1JB221JT	
RA	8	220 Ω , 1/16W			VRS-CZ1JB221JT	
RA	9	220 Ω , 1/16W			VRS-CZ1JB221JT	
RA	10	10 k Ω , 1/16W			VRS-CZ1JB103JT	
RA	11	10 k Ω , 1/16W			VRS-CZ1JB103JT	
RA	12	10 k Ω , 1/16W			VRS-CZ1JB103JT	
RA	13	10 k Ω , 1/16W			VRS-CZ1JB103JT	
RA	14	10 k Ω , 1/16W			VRS-CZ1JB103JT	
RA	15	10 k Ω , 1/16W			VRS-CZ1JB103JT	
RA	16	10 k Ω , 1/16W			VRS-CZ1JB103JT	
RA	17	10 k Ω , 1/16W			VRS-CZ1JB103JT	
RA	20	100 k Ω , 1/16W			VRS-CZ1JB104JT	

SAFETY	NO.		DESCRIPTION	QTY	TRANSFER CODE	PARTS CODE	NEW
	RA	21	100 kΩ, 1/16W			VRS-CY1JB104JT	
	RA	22	100 kΩ, 1/16W			VRS-CY1JB104JT	
	RA	26	10 kΩ, 1/16W			VRS-CZ1JB103JT	
	RA	28	270 Ω, 1/16W			VRS-CY1JB271JT	
	RA	29	33 Ω, 1/16W			VRS-CZ1JB330JT	
	RA	30	33 Ω, 1/16W			VRS-CZ1JB330JT	
	RA	35	1 kΩ, 1/16W			VRS-CY1JB102JT	
	RA	502	10 kΩ, 1/6W			VRD-ST2CD103JT	
	RA	503	10 kΩ, 1/6W			VRD-ST2CD103JT	
	RA	504	0Ω, Jumper, 1.55 X 3.1mm, Green			VRS-TQ2BB000JT	
	RA	505	3.3 kΩ, 1/6W			VRD-ST2CD332JT	
	RA	506	10 kΩ, 1/6W			VRD-ST2CD103JT	
OTHER CIRCUITRY PARTS							
	B		Lug			QLUGP0002AWZZ	
	BI	200	Shield Wire, 5 Pin			QCNWNB459AWPZ	
	BI	201	Shield Wire, 6 Pin			QCNWNB458AWPZ	
	BI	203	Cone Wire, 9 Pin			QCNWNB390AWPZ	
	BI	206	Cone Wire, 2 Pin			QCNWNB387AWPZ	
	BI	207	Cone Wire, 8 Pin			QCNWNB391AWPZ	
	BI	401	Cone Wire, 2 Pin			QCNWNB394AWPZ	
	BI	602	Shield Wire, 3 Pin			QCNWNB461AWPZ	
	BI	605	Cone Wire, 8 Pin			QCNWNB382AWPZ	
	BI	800	Cone Wire, 4 Pin			QCNWNB380AWPZ	
	BI	804	Cone Wire, 4 Pin			QCNWNB385AWPZ	
	BI	806 / 812	Cone Wire, 7 Pin			QCNWNB381AWPZ	
	BI	808	Cone Wire, 6 Pin			QCNWNB383AWPZ	
	BI	809	Cone Wire, 9 Pin			QCNWNB384AWPZ	
	C		Lug			QLUGP0002AWZZ	
	CNP	1	Connector, 16 Pin			QCNCWYP16AWZZ	

SAFETY	NO.		DESCRIPTION	QTY	TRANSFER CODE	PARTS CODE	NEW
	CNP	2	Connector, 6 Pin			QCNCM705FAFZZ	
	CNP	3	Connector, 5 Pin			QCNCM705EAFZZ	
	CNP	4	Connector, 6 Pin			92LCONE6P53253	
	CNP	5	Connector, 3 Pin			92LCONE3P53253	
	CNP	6	Connector, 20 Pin			QCNCWYG20AWZZ	
	CNP	7	Connector, 7 Pin			92LCONE7P53253	
	CNP	9	Connector, 5 Pin			92LCONE5P53253	
	CNP	101	Connector, 30 Pin			QCNCWA127AW30L	
	CNP	103	Connector, 30 Pin			QPLGNA327WJZZY	
	CNP	202	Connector, 9 Pin			QCNCWYH09AWZZ	
	CNP	400	Connector, 17 Pin			QCNCWYG17AWZZ	
	CNP	501	Connector, 9 Pin			92LCONE9P53253	
	CNP	502	Connector, 7 Pin			92LCONE7P53253	
	CNP	503	Connector, 9 Pin			92LCONE9P5267	
	CNP	504	Connector, 5 Pin			92LCONE5P5267	
	CNP	505	Connector, 17 Pin			QCNCWYG17AWZZ	
	CNP	506	Connector, 2 Pin			QCNCM705BAFZZ	
	CNP	507	Connector, 13 Pin			QCNCWYG13AWZZ	
	CNP	508	Connector, 20 Pin			QCNCWYG20AWZZ	
	CNP	509	Connector, 4 Pin			92LCONE4P53253	
	CNP	510	Connector, 16 Pin			QCNCWYP16AWZZ	
	CNP	511	Connector, 16 Pin			QCNCWYP16AWZZ	
	CNP	512	Connector, 4 Pin			QCNCM705DAFZZ	
	CNP	600	Connector, 5 Pin			QCNCM010EAWZZ	
	CNP	601	Connector, 13 Pin			QCNCWYG13AWZZ	
	CNP	603	Connector, 6 Pin			QCNCM705FAFZZ	
	CNP	604	Connector, 4 Pin			QCNCM704DAFZZ	
S	CNP	801	Connector, 2 Pin			QCNCM036BAWZZ	
	CNP	802	Connector, 8 Pin			92LCONE8P53253	
	CNP	803	Connector, 7 Pin			92LCONE7P5267	
	CNP	807	Connector, 5 Pin			QCNCW010EAWZZ	
S	F	801	Fuse, 4A 125V		252257GR	QFS-D402BSJNI	
S	F	802	Fuse, 4A 125V		252257GR	QFS-D402BSJNI	
S	F	803	Fuse, 2A 125V		252253GR	QFS-D202BSJNI	
S	F	805	Fuse, 1.6A 125V		252252GR	QFS-D162BSJNI	
S	FH	802	Fuse Holder			QFSD0001AWZZT	
S	FH	803	Fuse Holder			QFSD0001AWZZT	
S	FH	804	Fuse Holder			QFSD0001AWZZT	
S	FH	805	Fuse Holder			QFSD0001AWZZT	
S	FH	806	Fuse Holder			QFSD0001AWZZT	
S	FH	807	Fuse Holder			QFSD0001AWZZT	
S	FH	810	Fuse Holder			QFSD0001AWZZT	
S	FH	811	Fuse Holder			QFSD0001AWZZT	
	FL	400	FL Display			VVKNA16SM21-1	
	JK	200	Jack, Video			QSOCJ0120AWZZ	
	JK	201	Jack, AUX In			QSOCJ0218AWZZ	
	JK	204	Jack, Headphone			QJAKMA015AWZZ	
	JK	600	Jack			QSOCJA011AWZZ	
	LUG	203 / 207	Lug Wire			QCWNWB389AWPZ	

SAFETY	NO.		DESCRIPTION	QTY	TRANSFER CODE	PARTS CODE	NEW
	LUG	400	Lug Wire			QCNWNB513AWPZ	
	LUG	601	Lug Terminal			QLUGP0001AWZZT	
	LUG	802	Lug Terminal			QLUGP0001AWZZT	
	LUG	803	Lug			QLUGP0001AWZZT	
	LUG	804	Lug Pin Wire			QCNWNB386AWPZ	
	LUG	WIRE	Lug Wire			QCNWNB527AWPZ	
S	RL	800	Relay			RRLYDA002AWZZ	
	RM	400	Remote Sensor			VHLK2013TH2E1	
S	SO	600	Jack, Speaker			QTANAA014AWZZ	
	SW	200	Tact Switch			92LSWICHT1663T	
	SW	400	Tact Switch			92LSWICHT1663T	
	SW	401	Tact Switch			92LSWICHT1663T	
	SW	402	Tact Switch			92LSWICHT1663T	
	SW	403	Tact Switch			92LSWICHT1663T	
	SW	404	Tact Switch			92LSWICHT1663T	
	SW	405	Tact Switch			92LSWICHT1663T	
	SW	406	Tact Switch			92LSWICHT1663T	
	TUN	1	Tuner Pack			RTUNSA035AWZZ	
	VR	200	Jog Switch			QSW-ZA014AWZZ	
	VR	401	Volume Variable			QSW-ZA012AWZZ	
			FFC Cable, 20 Pin			QCNWNB398AWPZ	
			FFC Cable, 16 Pin			QCNWNB399AWPZ	
			FFC Cable, 13 Pin			QCNWNB528AWPZ	
			FFC Cable, 19 Pin			QCNWNB395AWPZ	
			Flat Wire, 5 Pin			QCNWNB435AWPZ	
			FFC Cable			QCNWNB400AWPZ	
			Cone Wire			QCNWNB401AWPZ	
			Single Wire, 85mm			QCNWNB460AWPZ	

ONKYO CORPORATION

Service Dept. Technical Support : 2-1, Nisshin-cho, Neyagawa-shi, OSAKA 572-8540, JAPAN
Tel: 072-831-8023 Fax: 072-831-8163

ONKYO U.S.A. CORPORATION

18 Park Way, Upper Saddle River, N.J. 07458, U.S.A.
Tel: 800-229-1687, 201-785-2600 Fax: 201-785-2650 <http://www.us.onkyo.com/>

ONKYO EUROPE ELECTRONICS GmbH

Liegnitzerstrasse 6, 82194 Groebenzell, GERMANY
Tel: +49-8142-4401-0 Fax: +49-8142-4401-555 <http://www.eu.onkyo.com/>

ONKYO EUROPE ELECTRONICS GmbH (UK BRANCH)

The Coach House 81A High Street, Marlow, Buckinghamshire, SL7 1AB, UK
Tel: +44-(0)1628-473-350 Fax: +44-(0)1628-401-700

ONKYO CHINA LIMITED

Unit 1&12, 9/F, Ever Gain Plaza Tower 1, 88, Container Port Road, Kwai Chung,
N.T., Hong Kong. Tel: 852-2429-3118 Fax: 852-2428-9039
<http://www.ch.onkyo.com/>

